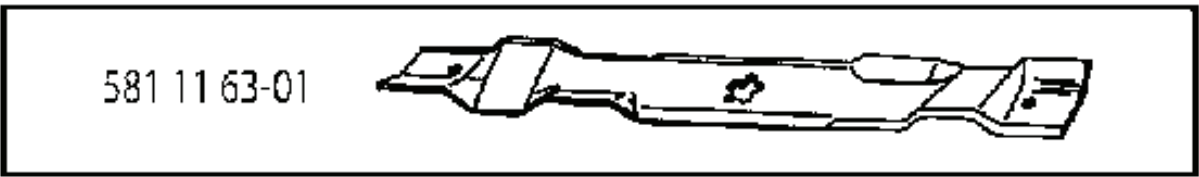
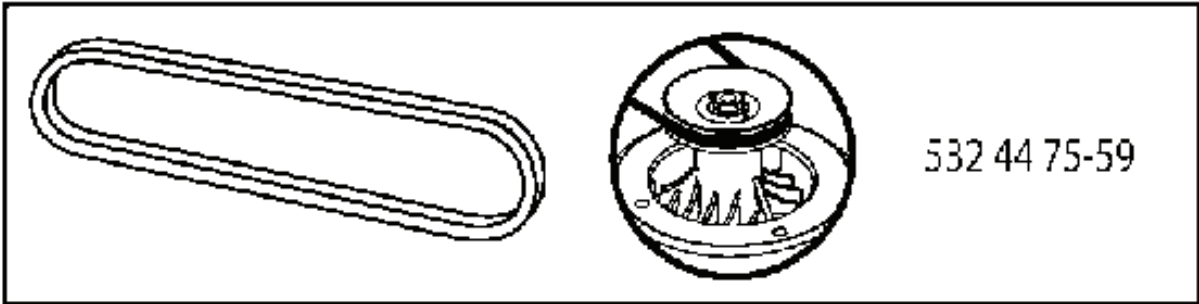
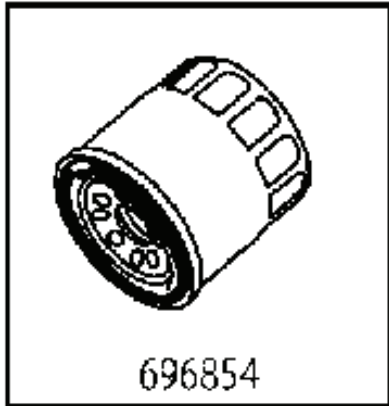
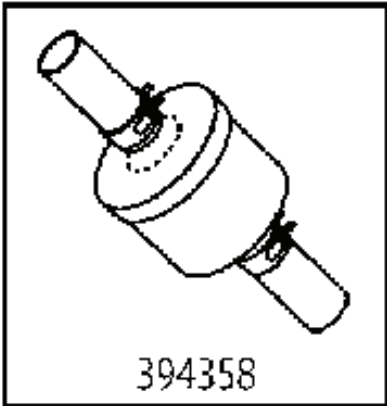
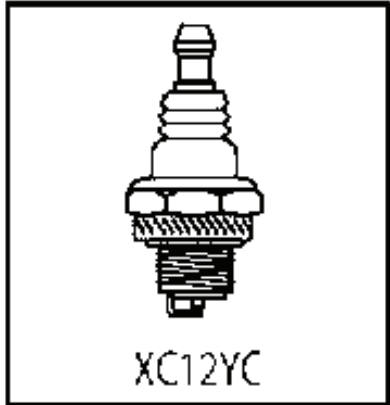
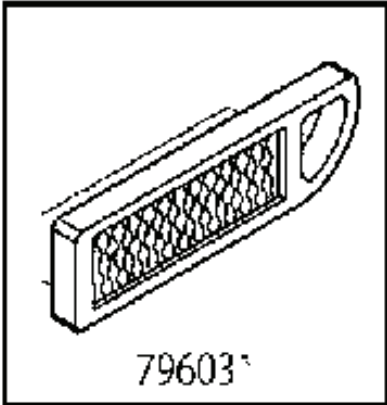


RESERVDELSKATALOG
: HUSQVARNA

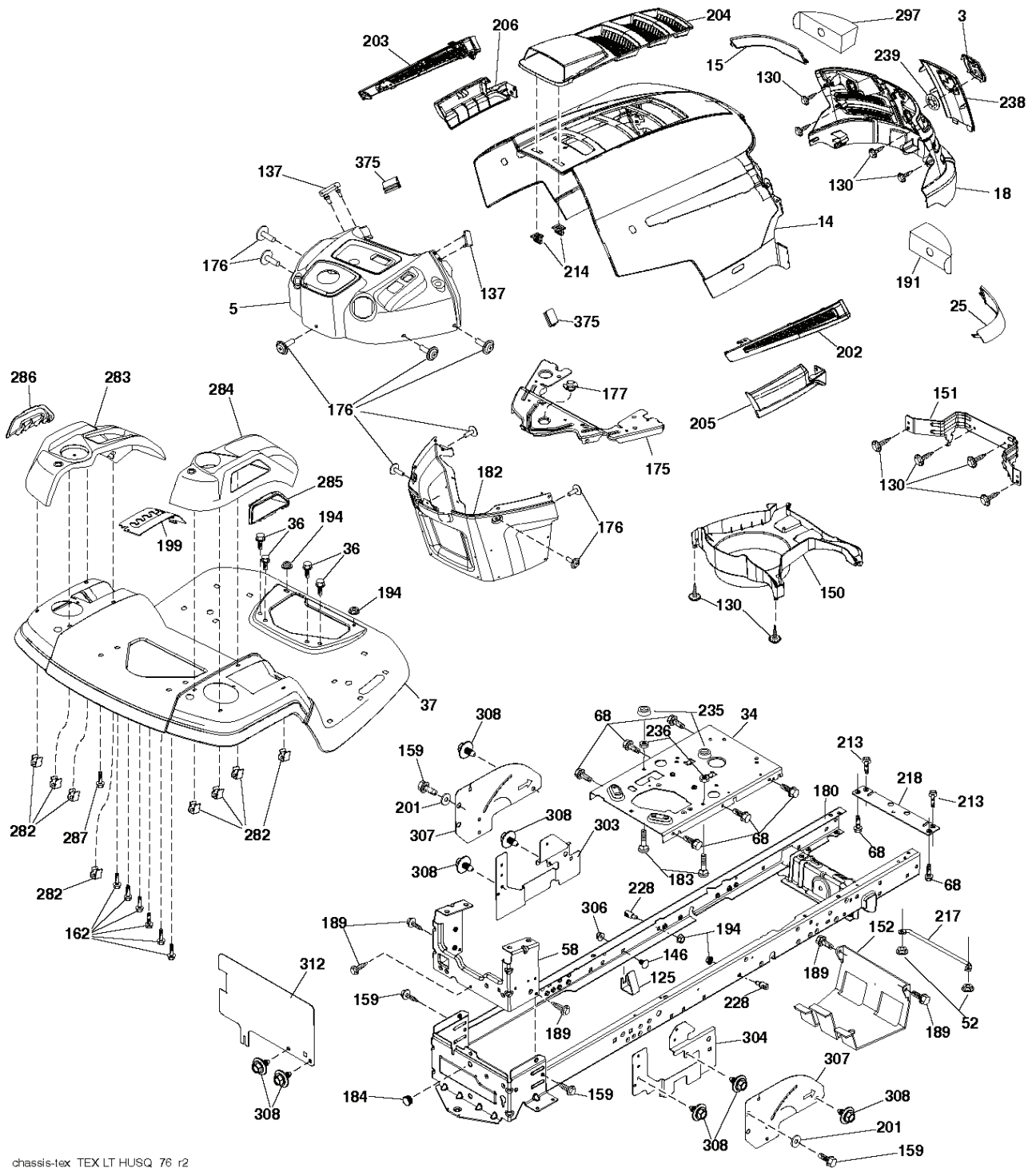
Reservdelslista

RESERVDELSLISTA

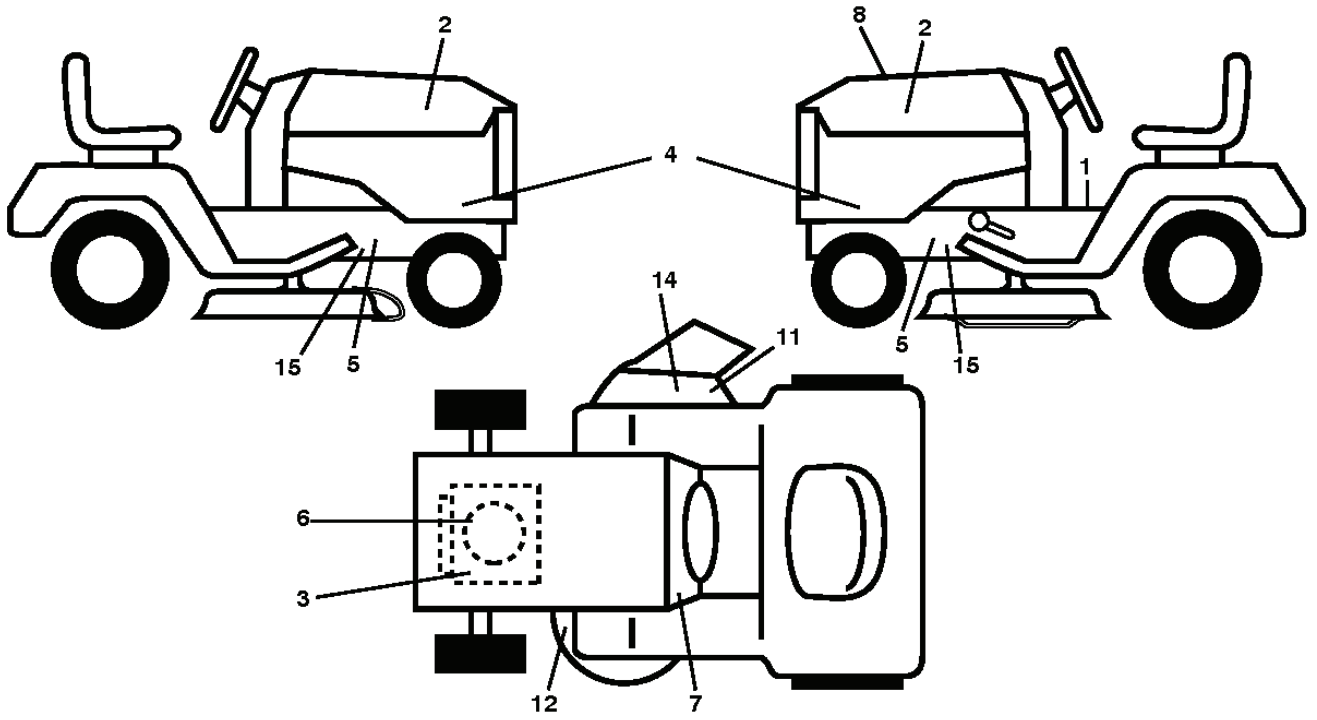


587456401

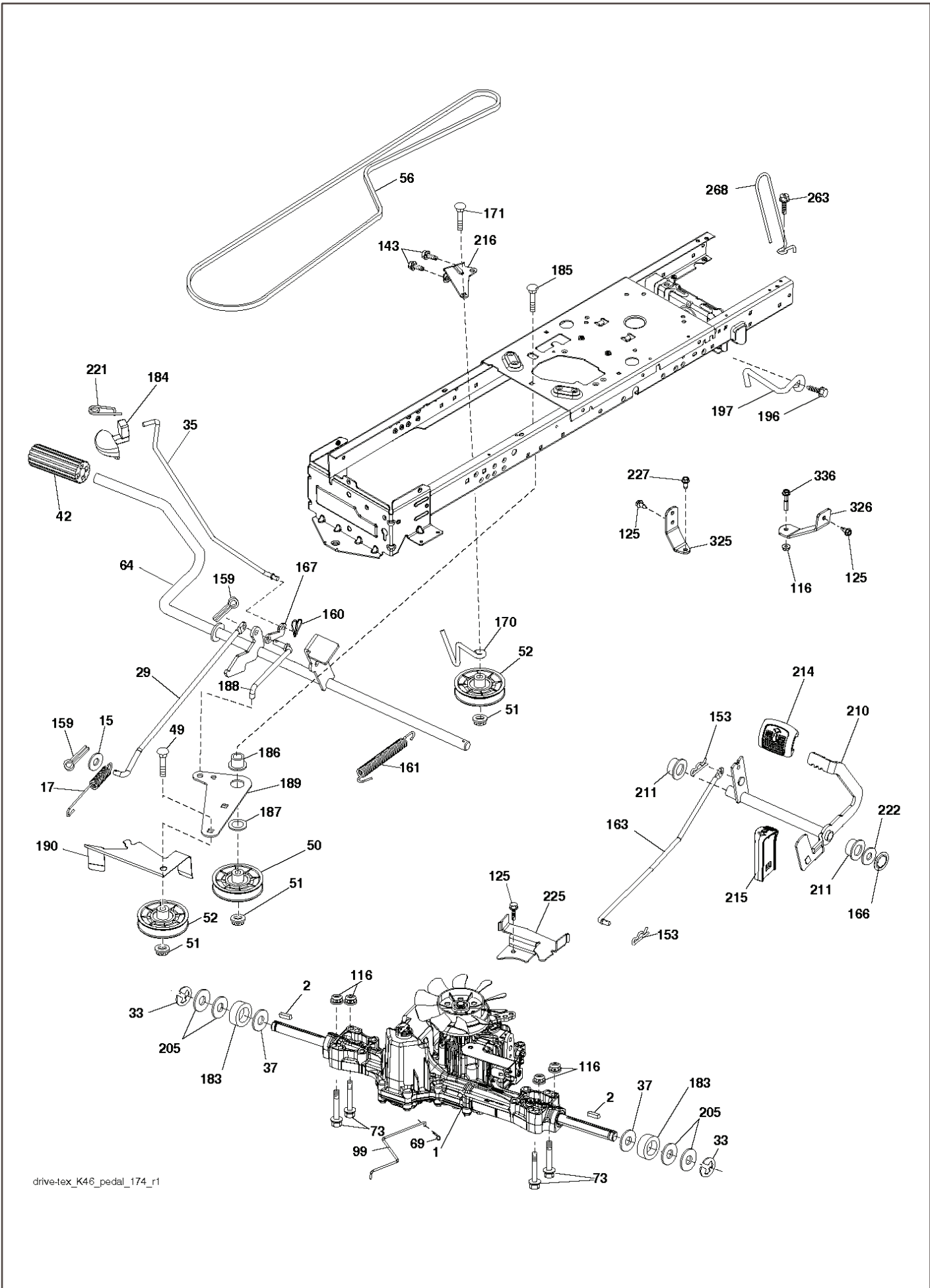
| REF. | ART. NR | ARTIKELBESKRIVNING | ANMÄRKNING | KIT |
|-----------|-----------|--------------------|------------|-----|
| 796031 | TBD | TBD | | 1 |
| XC12YC | TBD | TBD | | 1 |
| 394358 | 394358 | FILTER | | 1 |
| 696854 | 696854 | LFILTER CTH170 | | 1 |
| 532130969 | 532130969 | REM | | 1 |
| 532447559 | 532447559 | REM | | 1 |
| 581116301 | 581116301 | KNIV | | 1 |



| REF. | ART. NR | ARTIKELBESKRIVNING | ANMÄRKNING | KIT |
|------|-----------|--------------------------------|------------|-----|
| 3 | 581056301 | LOGOTYP | | 1 |
| 5 | 585529807 | PANEL | | 1 |
| 14 | 532441267 | HUV | | 1 |
| 15 | 532441428 | LINS | | 1 |
| 18 | 532441368 | GRILLE | | 1 |
| 25 | 532441427 | LINS | | 1 |
| 34 | 580910801 | CHASSI | | 1 |
| 36 | 817060512 | SCREW | | 1 |
| 37 | 532441266 | STÄNKSKÄRM | | 1 |
| 52 | 873680500 | MUTTER | | 1 |
| 58 | 532412280 | PLATTA | | 1 |
| 68 | 539990858 | SCR5/16-18X1/2 SELFTAP ZN SPEC | | 1 |
| 125 | 581684801 | KLÄMMA | | 1 |
| 130 | 532416358 | SCREW | | 1 |
| 137 | 532407590 | DAMPING PIECE | | 1 |
| 146 | 581857901 | BULT | | 1 |
| 150 | 532406662 | LUFTKANAL | | 1 |
| 151 | 532407807 | FÄSTE | | 1 |
| 152 | 532199535 | SKÄRM | | 1 |
| 159 | 817000612 | SCREW | | 1 |
| 162 | 532142432 | SCREW | | 1 |
| 175 | 532199472 | PLATTA | | 1 |
| 176 | 532400776 | SCREW | | 1 |
| 177 | 532195228 | BUSHING | | 1 |
| 180 | 532415064 | RAM | | 1 |
| 182 | 532407176 | PANEL | | 1 |
| 183 | 874520520 | BULT | | 1 |
| 184 | 587554101 | PLUGG | | 1 |
| 189 | 817000512 | SCREW | | 1 |
| 191 | 532416501 | INSATS | | 1 |
| 194 | 873900500 | MUTTER | | 1 |
| 199 | 532413485 | PLATTA | | 1 |
| 201 | 819132012 | BRICKA | | 1 |
| 202 | 532441342 | KÅPA | | 1 |
| 203 | 532441343 | KÅPA | | 1 |
| 204 | 532441375 | KÅPA | | 1 |
| 205 | 532441344 | SKIRT | | 1 |
| 206 | 532441345 | SKIRT | | 1 |
| 213 | 539976934 | SCREW | | 1 |
| 214 | 532199145 | KLÄMMA | | 1 |
| 217 | 532409167 | STÄNG | | 1 |
| 218 | 532196395 | PLATTA | | 1 |
| 228 | 532195161 | STUD | | 1 |
| 235 | 532406129 | DISTANSBRICKA | | 1 |
| 236 | 873930500 | MUTTER | | 1 |
| 238 | 532441374 | SPARE PARTS | | 1 |
| 239 | 532404883 | KLÄMMA | | 1 |
| 282 | 532414110 | KLÄMMA | | 1 |
| 283 | 532442039 | DECK | | 1 |
| 284 | 532439823 | KONSOL | | 1 |
| 285 | 532416315 | KONSOL | | 1 |
| 286 | 532416317 | KONSOL | | 1 |
| 287 | 817600406 | SCREW | | 1 |
| 297 | 532406665 | INSATS | | 1 |
| 303 | 589008102 | SKYDD | | 1 |
| 304 | 589009002 | SKYDD | | 1 |
| 306 | 873900600 | MUTTER | | 1 |
| 307 | 587494601 | SKÄRM | | 1 |
| 308 | 532171877 | BULT | | 1 |
| 312 | 589006702 | KÅPA | | 1 |
| 375 | 586908201 | STÖTFÅNGARE | | 1 |
| -- | 532400944 | FRONT BUMPER | *SUBS/2* | 1 |

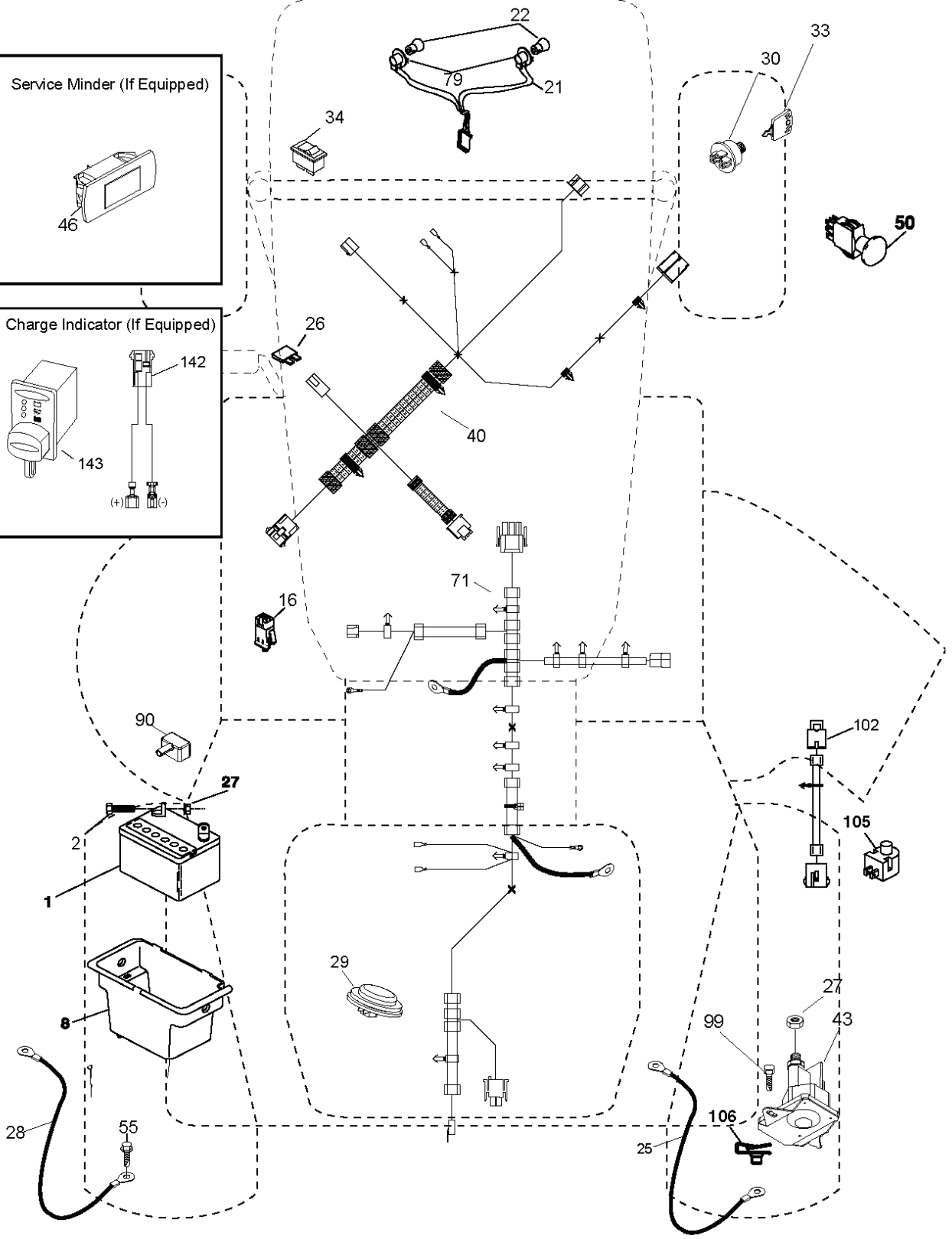
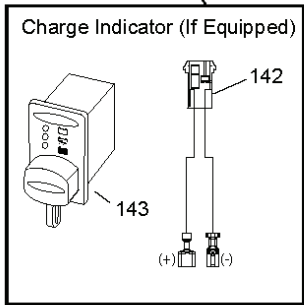
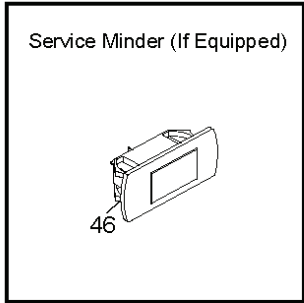


| REF. | ART. NR | ARTIKELBESKRIVNING | ANMÄRKNING | KIT |
|------|-----------|--------------------|------------|-----|
| 1 | 586350601 | DEKAL | | 1 |
| 2 | 581627301 | DEKAL | | 1 |
| 3 | 581579701 | DEKAL | | 1 |
| 4 | 587551701 | DEKAL | | 1 |
| 5 | 581579601 | DEKAL | | 1 |
| 6 | 587385201 | DEKAL | | 1 |
| 7 | 586066201 | DEKAL | | 1 |
| 8 | 587456401 | DEKAL | | 1 |
| 11 | 581579201 | DEKAL | | 1 |
| 12 | 581580003 | DEKAL | | 1 |
| 14 | 584904601 | DEKAL | | 1 |
| 15 | 581579801 | DEKAL | | 1 |
| -- | 581724801 | DEKAL | | 1 |
| -- | 581724601 | DEKAL | | 1 |
| -- | 532439681 | PLATTA | | 1 |
| -- | 532439682 | DYNA | | 1 |

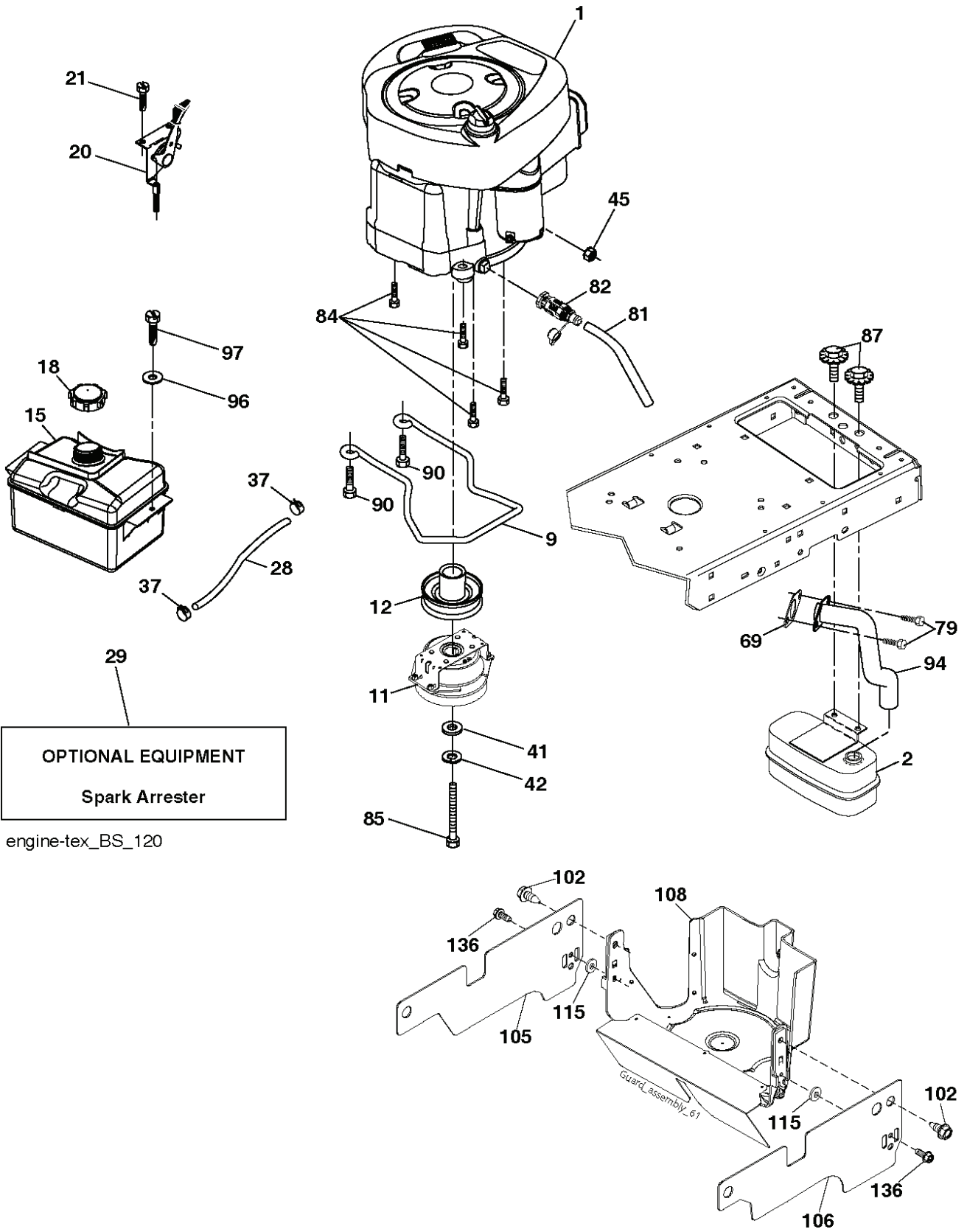


| REF. | ART. NR | ARTIKELBESKRIVNING | ANMÄRKNING | KIT |
|------|-----------|--------------------------------|--|-----|
| 1 | 000000000 | W/O DESCRIPTION | TRANSAXLE TUFFTORO MODEL K46BT (426120) | 1 |
| 2 | 532123583 | TANGENT | | 1 |
| 15 | 819131316 | BRICKA | | 1 |
| 17 | 532413678 | SRPING.BRAKE.K46.GREEN*SUBS/2* | | 1 |
| 29 | 532403806 | STÅNG | | 1 |
| 33 | 812000001 | FLÅNSRING | | 1 |
| 35 | 532401031 | STÅNG | | 1 |
| 37 | 532188967 | BRICKA | | 1 |
| 42 | 532008883 | PEDAL RUBBER | | 1 |
| 49 | 872110614 | BULT | | 1 |
| 50 | 532194327 | REMSKIVA | | 1 |
| 51 | 873900600 | MUTTER | | 1 |
| 52 | 532194326 | REMSKIVA | | 1 |
| 56 | 532130969 | REM | | 1 |
| 64 | 532197865 | AXEL | | 1 |
| 69 | 532423303 | HAIR PIN COTTER | | 1 |
| 73 | 874490540 | BULT | | 1 |
| 99 | 582404501 | STÅNG | | 1 |
| 116 | 873900500 | MUTTER | | 1 |
| 125 | 817000512 | SCREW | | 1 |
| 143 | 539990858 | SCR5/16-18X1/2 SELFTAP ZN SPEC | | 1 |
| 153 | 532004497 | KLÄMMA | | 1 |
| 159 | 876020412 | SPLIT PIN | | 1 |
| 160 | 532169484 | TAPP | | 1 |
| 161 | 532105709 | FJÄDER | | 1 |
| 163 | 532448275 | REGLAGE | | 1 |
| 166 | 532429164 | MUTTER | | 1 |
| 167 | 532405257 | SPÄRRHAKE | | 1 |
| 170 | 532194322 | STYRNING | | 1 |
| 171 | 872110616 | BULT | | 1 |
| 183 | 532137057 | DISTANSBRICKA | | 1 |
| 184 | 532411484 | REGLAGE | | 1 |
| 185 | 872110622 | BULT | | 1 |
| 186 | 532194321 | DISTANSBRICKA | | 1 |
| 187 | 819133210 | BRICKA | | 1 |
| 188 | 582217001 | LÄNK | | 1 |
| 189 | 532194317 | PLATTA | | 1 |
| 190 | 532194318 | REMSTYRARE | | 1 |
| 196 | 817000616 | SCREW | | 1 |
| 197 | 532195804 | FÄSTE | | 1 |
| 205 | 532121748 | BRICKA | | 1 |
| 210 | 532400980 | PEDALARM | | 1 |
| 211 | 532120183 | LAGER | | 1 |
| 214 | 532421263 | DYNA | | 1 |
| 215 | 586606502 | PEDALGUMMI | | 1 |
| 216 | 532196131 | FÄSTE | | 1 |
| 221 | 532403187 | FJÄDER | | 1 |
| 222 | 879212010 | BRICKA | | 1 |
| 225 | 532403319 | REMSTYRARE | | 1 |
| 227 | 817490512 | SCREW | | 1 |
| 263 | 817000612 | SCREW | | 1 |
| 268 | 532182402 | PROTECTOR | | 1 |
| 325 | 585668502 | FÄSTE | | 1 |
| 326 | 585670802 | FÄSTE | | 1 |
| 336 | 587259601 | BULT | | 1 |

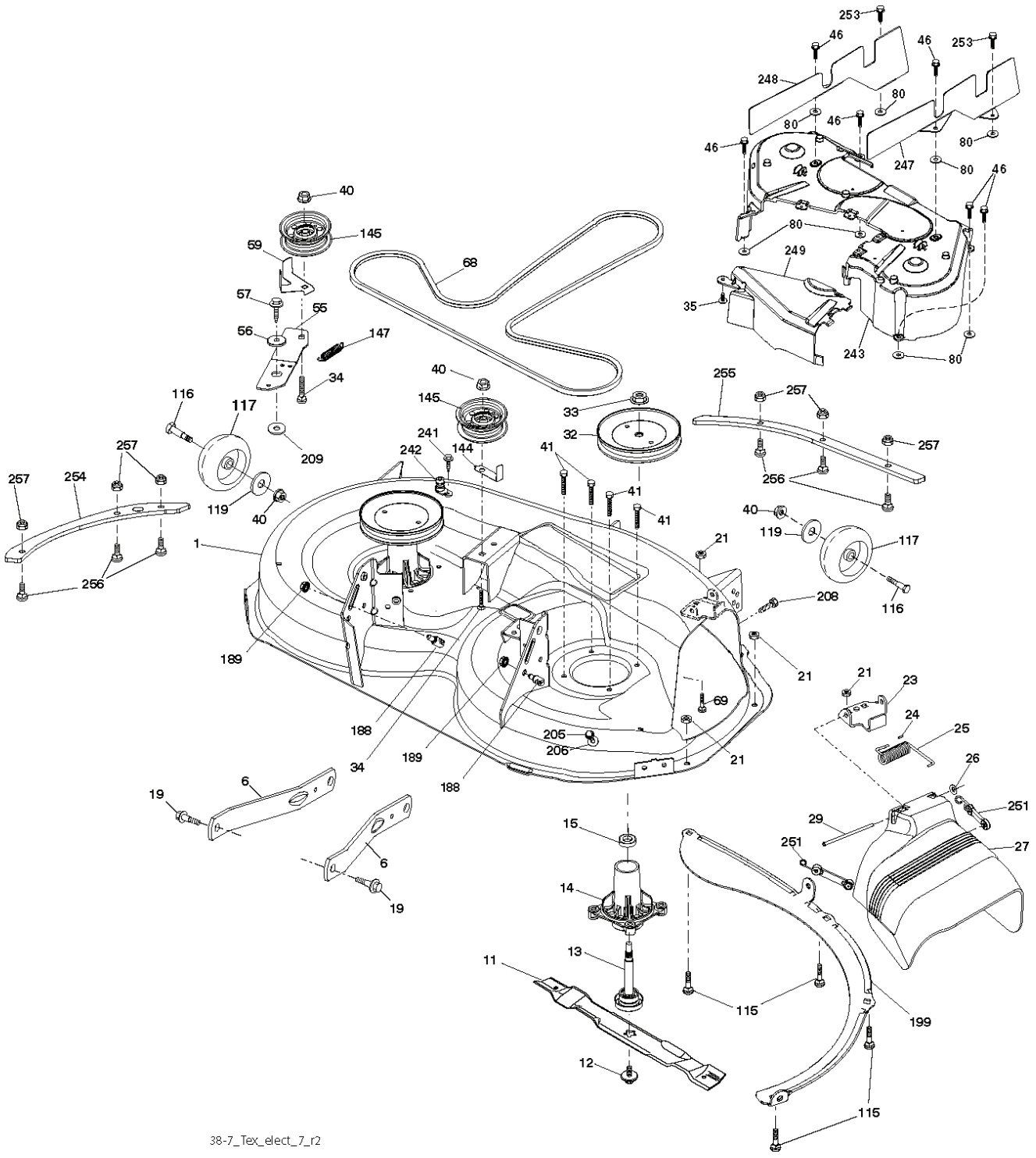
TR04S



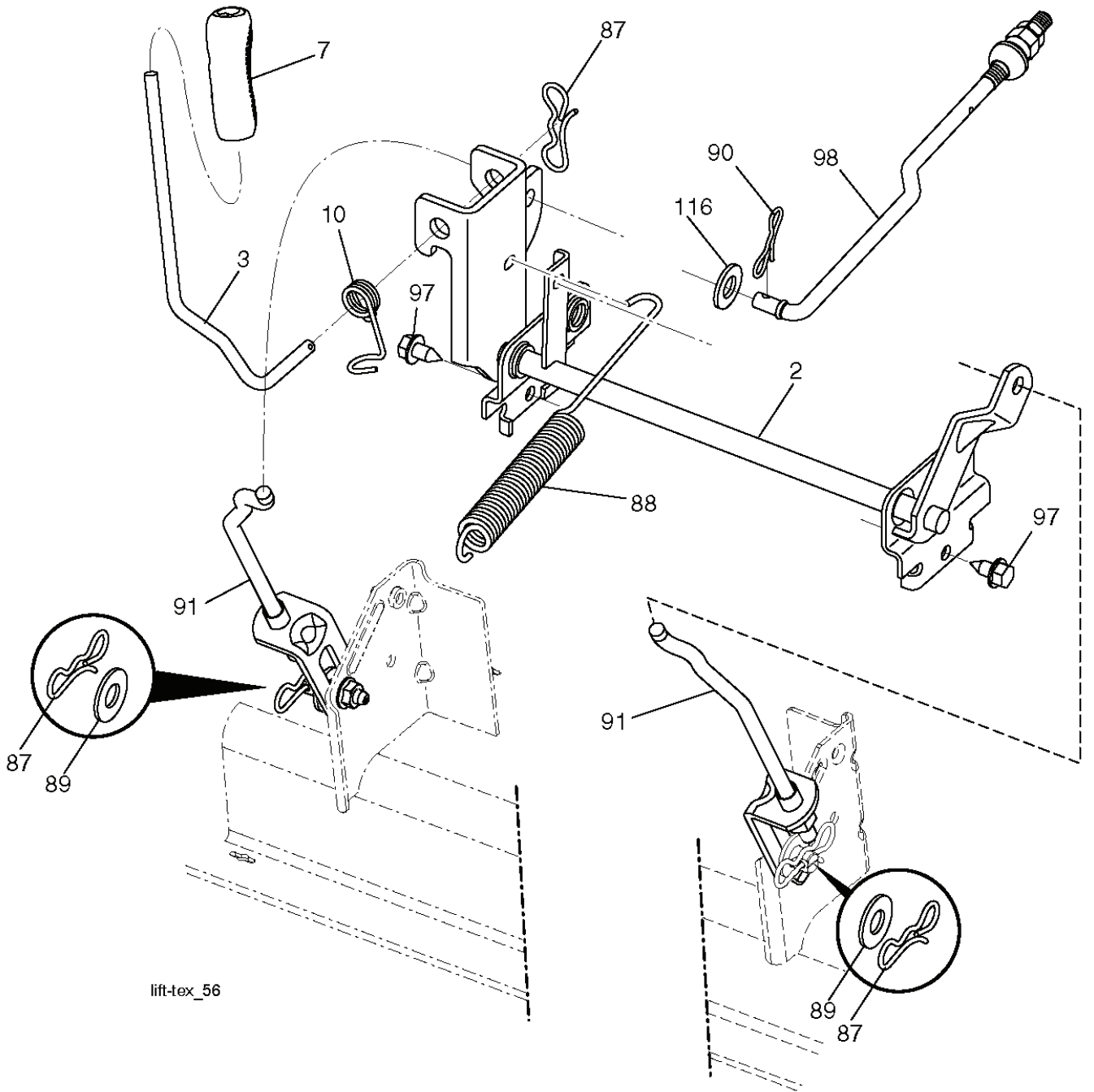
| REF. | ART. NR | ARTIKELBESKRIVNING | ANMÄRKNING | KIT |
|------|-----------|--------------------|------------|-----|
| 1 | 532163465 | BATTERI | | 1 |
| 2 | 874760412 | BULT | | 1 |
| 8 | 532193228 | LÅDA | | 1 |
| 16 | 532176138 | MIKROBRYTARE | | 1 |
| 21 | 532400252 | SELE | | 1 |
| 22 | 532004152 | GLÖDLAMPA | | 1 |
| 25 | 581498001 | KABEL | | 1 |
| 26 | 532175158 | SÄKRING | | 1 |
| 27 | 873510400 | MUTTER | | 1 |
| 28 | 532421686 | KABEL | | 1 |
| 29 | 532401545 | BRYTARE | | 1 |
| 30 | 532193350 | TÄNDMODUL | | 1 |
| 33 | 532411935 | TANGENT | | 1 |
| 34 | 532110712 | BRYTARE | | 1 |
| 40 | 585555301 | SELE | | 1 |
| 43 | 582042801 | SOLENOID | | 1 |
| 46 | 594919101 | TIMMÄTARE | | 1 |
| 50 | 582107601 | BRYTARE | | 1 |
| 55 | 817060512 | SCREW | | 1 |
| 71 | 501133701 | SELE | | 1 |
| 79 | 532175242 | HÅLLARE | | 1 |
| 90 | 532435395 | KOPPLINGS SKYDD | | 1 |
| 99 | 817670412 | SCREW | | 1 |
| 102 | 532404454 | KABEL | | 1 |
| 105 | 532407568 | BRYTARE | | 1 |
| 142 | 583857801 | SELE | | 1 |
| 143 | 532448059 | SELE | | 1 |
| 106 | 532174814 | MUTTER | | 1 |



| REF. | ART. NR | ARTIKELBESKRIVNING | ANMÄRKNING | KIT |
|------|-----------|--------------------|---|-----|
| 1 | 000000000 | W/O DESCRIPTION | Engine B&S Model No. 31S777-0003-B5 (597359801) | 1 |
| 2 | 532188655 | LJUDDÄMPARE | | 1 |
| 9 | 501832602 | STYRNING | | 1 |
| 11 | 587241501 | KOPPLING | | 1 |
| 12 | 532405097 | REMSKIVA | | 1 |
| 15 | 532407545 | BRÄNSLETANK | | 1 |
| 18 | 532430220 | FUEL CAP | | 1 |
| 20 | 587242601 | SPJÄLL | | 1 |
| 21 | 532416358 | SCREW | | 1 |
| 28 | 532137040 | SLANG | | 1 |
| 29 | 532137180 | SPARK ARRESTER KIT | | 1 |
| 37 | 532123487 | SLANGKLÄMMA | | 1 |
| 41 | 532126197 | BRICKA | | 1 |
| 42 | 539990247 | BRICKA | | 1 |
| 45 | 873510400 | MUTTER | | 1 |
| 69 | 532165291 | PACKNING | | 1 |
| 79 | 532192334 | SCREW | | 1 |
| 81 | 532148456 | RÖR | | 1 |
| 82 | 532428287 | PLUGG | | 1 |
| 85 | 581332804 | BULT | | 1 |
| 84 | 817060620 | SCREW | | 1 |
| 87 | 532171877 | BULT | | 1 |
| 90 | 817000616 | SCREW | | 1 |
| 94 | 581880901 | RÖR | | 1 |
| 96 | 819091416 | BRICKA | | 1 |
| 97 | 817670412 | SCREW | | 1 |
| 102 | 817000512 | SCREW | | 1 |
| 105 | 501267202 | SÄKERHETS VAKT | | 1 |
| 106 | 501268202 | SÄKERHETS VAKT | | 1 |
| 108 | 587179509 | KÅPA | | 1 |
| 115 | 532431761 | HÅLLARE | | 1 |
| 136 | 532421756 | SCREW | | 1 |

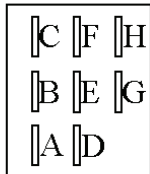
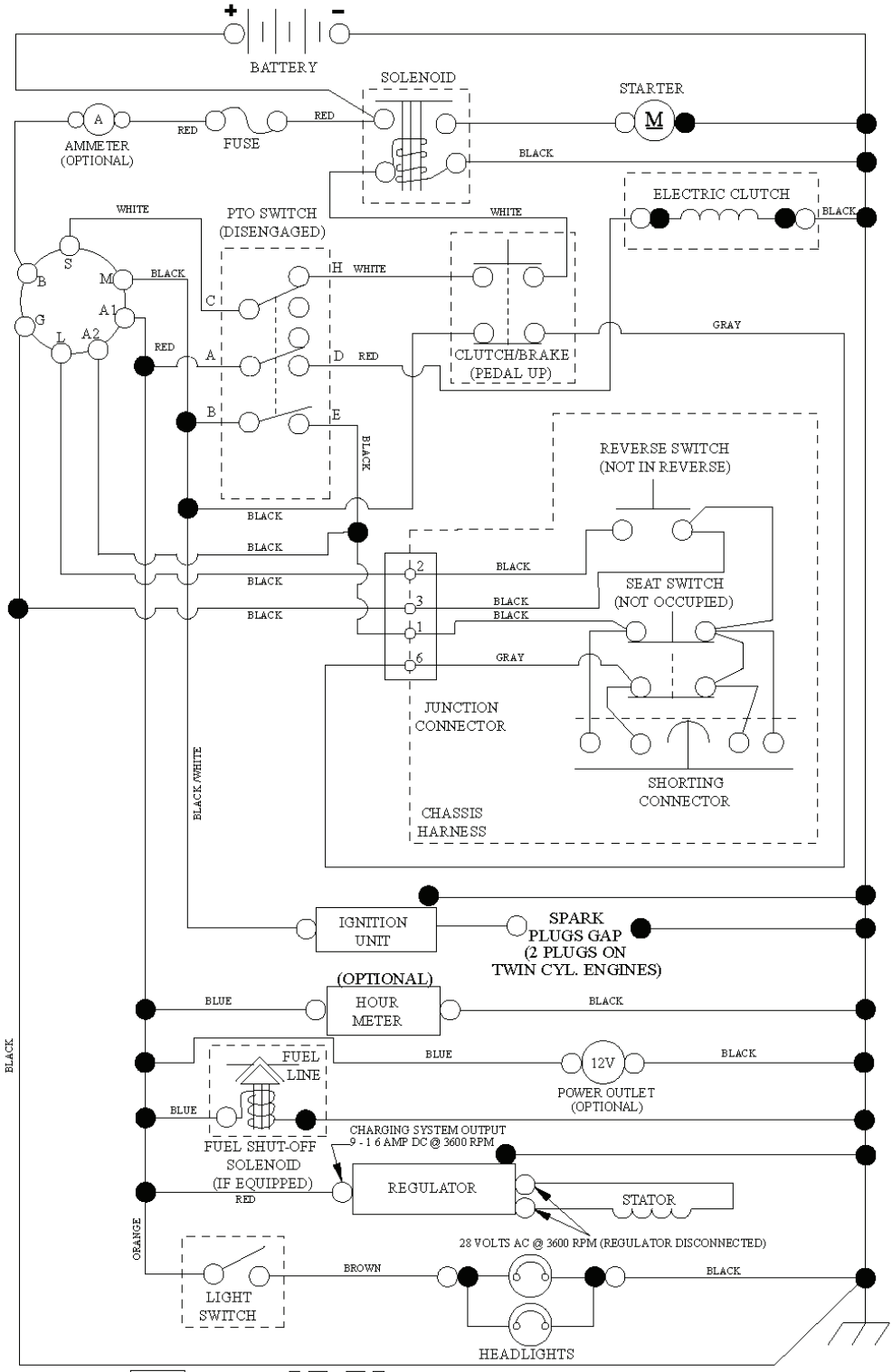


| REF. | ART. NR | ARTIKELBESKRIVNING | ANMÄRKNING | KIT |
|------|-----------|--------------------|---|-----|
| 1 | 532410715 | KIT | | 1 |
| 6 | 532195186 | ARM | | 1 |
| 11 | 581116301 | KNIV | | 1 |
| 12 | 584309301 | SCREW | | 1 |
| 13 | 587256501 | AXEL | | 1 |
| 14 | 532187281 | LAGERHUS | | 1 |
| 15 | 585323901 | LAGER | | 1 |
| 19 | 532196539 | BULT | | 1 |
| 21 | 873680500 | MUTTER | | 1 |
| 23 | 532192557 | GÅNGJÄRN | | 1 |
| 24 | 532105304 | NAVKAPSEL | | 1 |
| 25 | 532197026 | VRIDFJÄDER | | 1 |
| 26 | 532110452 | MUTTER | | 1 |
| 27 | 532401618 | DEFLEKTOR | | 1 |
| 29 | 532131491 | AXEL | | 1 |
| 32 | 532153532 | REMSKIVA | | 1 |
| 33 | 532400234 | MUTTER | | 1 |
| 34 | 872110612 | BULT | | 1 |
| 35 | 532133835 | XMAS TREE FASTNER | | 1 |
| 40 | 873900600 | MUTTER | | 1 |
| 41 | 584953901 | BULT | | 1 |
| 46 | 532137729 | SCREW | | 1 |
| 55 | 532197249 | ARM | | 1 |
| 56 | 532199092 | DISTANSBRICKA | | 1 |
| 57 | 817000616 | SCREW | | 1 |
| 59 | 532141043 | SKYDD | | 1 |
| 68 | 532447559 | REM | | 1 |
| 69 | 872140505 | BULT | | 1 |
| 80 | 532423062 | MUTTER | | 1 |
| 115 | 872110505 | BULT | | 1 |
| 116 | 532004898 | BULT | | 1 |
| 117 | 589527401 | HJUL | | 1 |
| 119 | 819121414 | BRICKA | | 1 |
| 144 | 532193414 | REMSTYRARE | | 1 |
| 145 | 532193197 | REMSKIVA | | 1 |
| 147 | 532197251 | FJÄDER | | 1 |
| 188 | 532195161 | STUD | | 1 |
| 189 | 873900500 | MUTTER | | 1 |
| 199 | 532400095 | SKYDD | | 1 |
| 205 | 817490416 | SCREW | | 1 |
| 206 | 819091416 | BRICKA | | 1 |
| 208 | 817670608 | SCREW | | 1 |
| 209 | 819133210 | BRICKA | | 1 |
| 241 | 532152927 | SCREW | | 1 |
| 242 | 532415598 | SLANGANSLUTNING | | 1 |
| 243 | 532406510 | KÅPA | | 1 |
| 247 | 589009402 | SKYDD | | 1 |
| 248 | 589009502 | SKYDD | | 1 |
| 249 | 532406514 | KÅPA | | 1 |
| 251 | 532436087 | ELASTIC STRAP | | 1 |
| 253 | 532427350 | SCREW | | 1 |
| 254 | 587055902 | FÖRSTÄRKNING | | 1 |
| 255 | 587055402 | FÖRSTÄRKNING | | 1 |
| 256 | 578296404 | SCREW | | 1 |
| 257 | 873900400 | MUTTER | | 1 |
| -- | 587253301 | DORN | MANDERL ASSEMBLY (Includes (Key # 14). Shaft Assembly (Key # 13) and Bearing Only (Key # 15) - Pulley/Nut/Washer and Blade Bolt/Washers Not Included) | 1 |
| -- | 588622401 | SERVICEVERKTYG | | 1 |

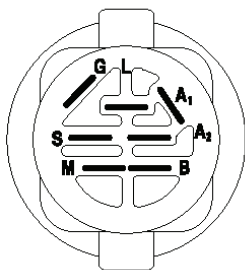


lift-tex_56

| REF. | ART. NR | ARTIKELBESKRIVNING | ANMÄRKNING | KIT |
|------|-----------|--------------------|------------|-----|
| 2 | 532422027 | AXEL | | 1 |
| 3 | 532195231 | HÄVARM | | 1 |
| 7 | 580962301 | GREPP | | 1 |
| 10 | 532196314 | FJÄDER | | 1 |
| 87 | 532194209 | FJÄDER | | 1 |
| 88 | 532410710 | FJÄDER | | 1 |
| 89 | 819191912 | BRICKA | | 1 |
| 90 | 532194208 | TAPP | | 1 |
| 91 | 532195181 | LÄNK | | 1 |
| 97 | 817000612 | SCREW | | 1 |
| 98 | 532195270 | LÄNK | | 1 |
| 116 | 594976501 | BRICKA | | 1 |

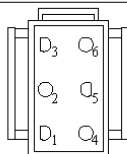


PTO SWITCH (MATING SIDE)

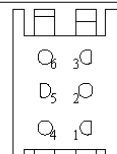


IGNITION SWITCH

| POSITION | CIRCUIT | "MAKE" |
|--------------|---------|--------|
| OFF | M+G+A1 | |
| RUN/OVERRIDE | B+A1 | |
| RUN | B+A1 | L+A2 |
| START | B+S+A1 | |



CHASSIS HARNESS CONNECTOR (MATING SIDE)



DASH HARNESS CONNECTOR

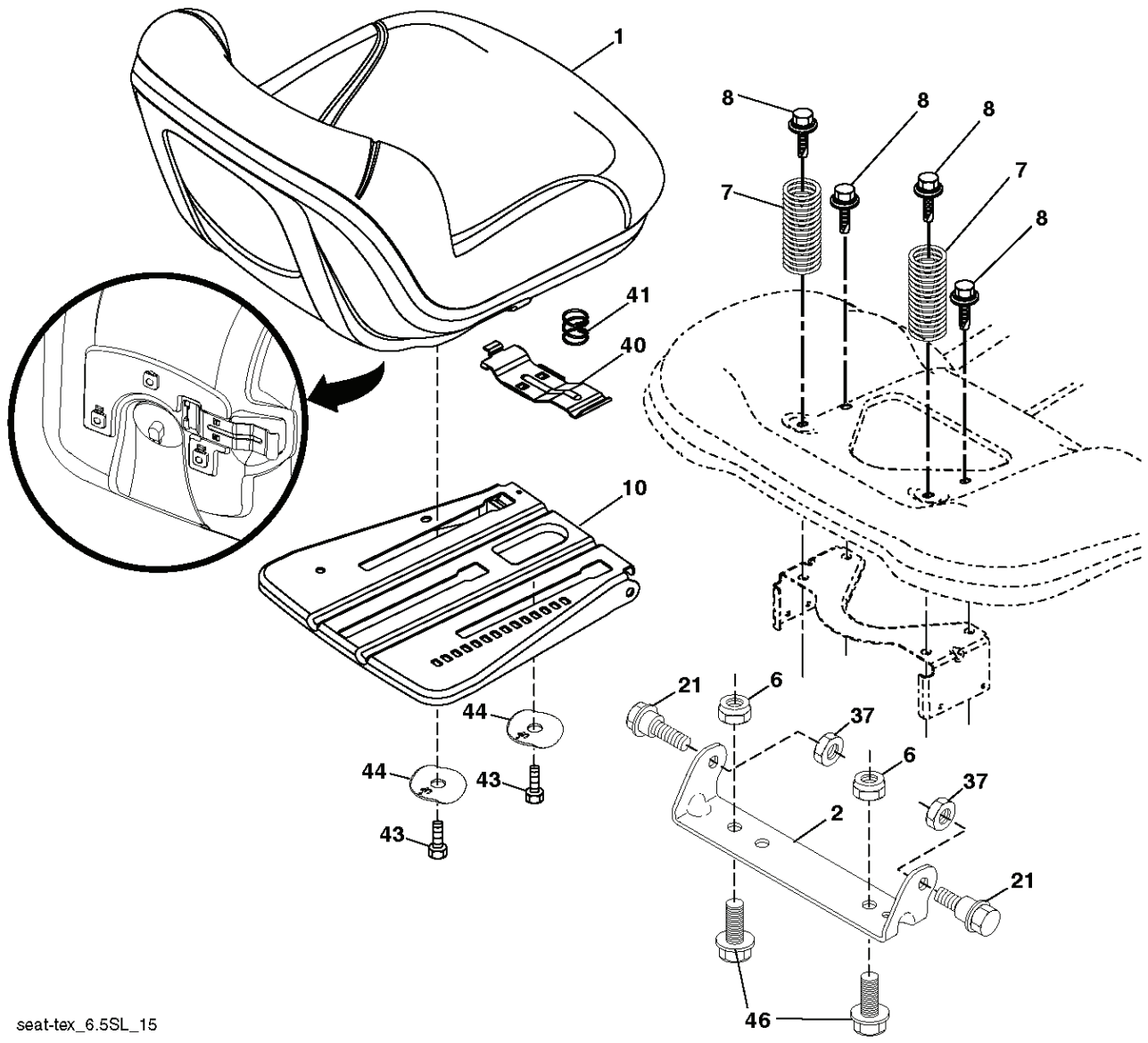
WIRING INSULATED CLIPS
 NOTE: IF WIRING INSULATED CLIPS WERE REMOVED FOR SERVICING OF UNIT, THEY SHOULD BE RE-INSTALLED TO PROPERLY SECURE YOUR WIRING.



NON-REMOVABLE CONNECTIONS

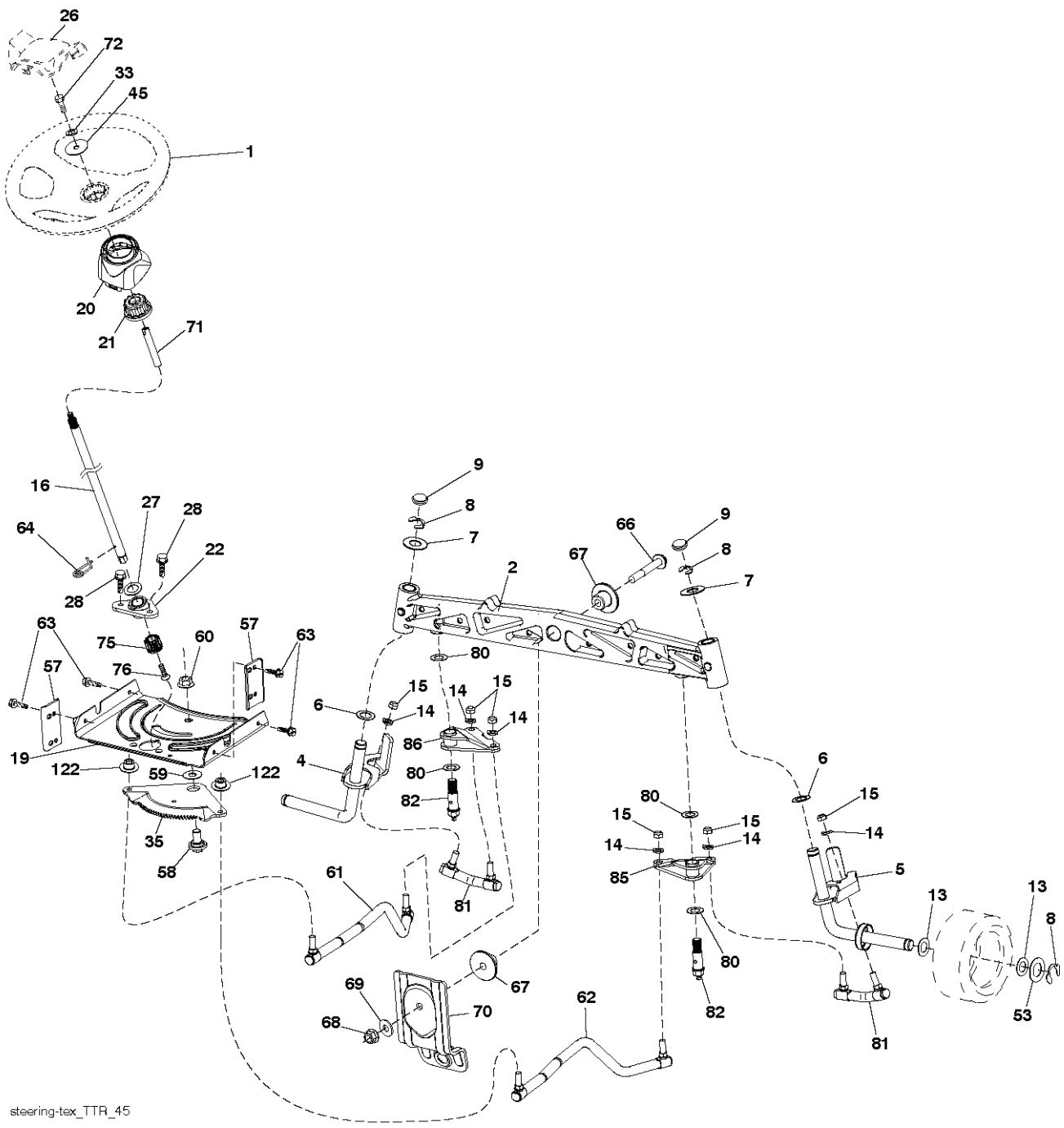


REMOVABLE CONNECTIONS



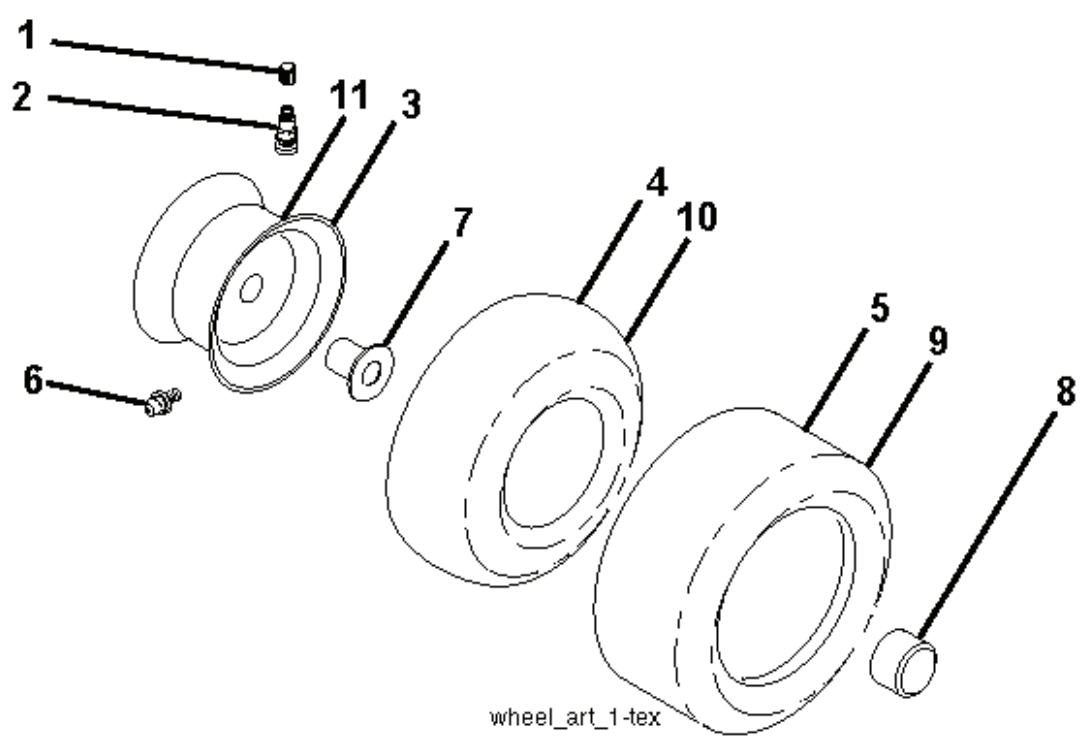
seat-tex_6.5SL_15

| REF. | ART. NR | ARTIKELBESKRIVNING | ANMÄRKNING | KIT |
|------|-----------|--------------------|------------|-----|
| 1 | 532439819 | SÅTE | | 1 |
| 2 | 532180166 | FÄSTE | | 1 |
| 6 | 873800600 | MUTTER | | 1 |
| 7 | 589483501 | FJÄDER | | 1 |
| 8 | 532171877 | BULT | | 1 |
| 10 | 596657402 | PLATTA | | 1 |
| 21 | 587907801 | BULT | | 1 |
| 37 | 873800500 | LOCK NUT | | 1 |
| 40 | 532197661 | HANDTAG | | 1 |
| 41 | 532198200 | FJÄDER | | 1 |
| 43 | 874760612 | BULT | | 1 |
| 44 | 501051801 | BRICKA | | 1 |
| 46 | 588090401 | BULT | | 1 |



steering-tex_TTR_45

| REF. | ART. NR | ARTIKELBESKRIVNING | ANMÄRKNING | KIT |
|------|-----------|--------------------|------------|-----|
| 1 | 532424543 | RATT | | 1 |
| 2 | 532436870 | HJULAXEL | | 1 |
| 4 | 532436873 | SPINDEL | | 1 |
| 5 | 532436874 | SPINDEL | | 1 |
| 6 | 532006266 | BRICKA | | 1 |
| 7 | 532121748 | BRICKA | | 1 |
| 8 | 812000029 | FLÄNSRING | | 1 |
| 9 | 532121232 | NAVKAPSEL | | 1 |
| 13 | 532121749 | BRICKA | | 1 |
| 14 | 539990118 | BRICKA | | 1 |
| 15 | 873540600 | MUTTER | | 1 |
| 16 | 585869202 | AXEL | | 1 |
| 19 | 532194729 | PLATTA | | 1 |
| 20 | 532441425 | KÅPA | | 1 |
| 21 | 532437747 | ADAPTER WHEEL | | 1 |
| 22 | 585029901 | LAGER | | 1 |
| 26 | 532439743 | NAVKAPSEL | | 1 |
| 27 | 819211616 | BRICKA | | 1 |
| 28 | 817000612 | SCREW | | 1 |
| 33 | 539990187 | BRICKA | | 1 |
| 35 | 532440770 | VÄXEL | | 1 |
| 45 | 819113812 | BRICKA | | 1 |
| 53 | 532188967 | BRICKA | | 1 |
| 57 | 532407465 | FÄSTE | | 1 |
| 58 | 532194747 | BULT | | 1 |
| 59 | 532194748 | BRICKA | | 1 |
| 60 | 873971000 | MUTTER | | 1 |
| 61 | 581926202 | LÄNK KPL | | 1 |
| 62 | 581926302 | LÄNK KPL | | 1 |
| 63 | 817000512 | SCREW | | 1 |
| 64 | 532199849 | FJÄDERFÄSTE | | 1 |
| 66 | 871020748 | BULT | | 1 |
| 67 | 532194737 | BUSHING | | 1 |
| 68 | 873900700 | MUTTER | | 1 |
| 69 | 532199162 | BRICKA | | 1 |
| 70 | 585338801 | FÄSTE | | 1 |
| 71 | 532190752 | AXEL | | 1 |
| 72 | 532428982 | BULT | | 1 |
| 75 | 580683701 | DREV | | 1 |
| 76 | 580683601 | SCREW | | 1 |
| 80 | 532001370 | BRICKA | | 1 |
| 81 | 532436887 | LÄNK | | 1 |
| 82 | 532442147 | BULT | | 1 |
| 85 | 532441873 | LAGERTAPP | | 1 |
| 86 | 532441872 | LAGERTAPP | | 1 |
| 122 | 532444962 | HATT | | 1 |



wheel_art_1-tex

| REF. | ART. NR | ARTIKELBESKRIVNING | ANMÄRKNING | KIT |
|------|-----------|--------------------|---------------------------|-----|
| 1 | 586350601 | DEKAL | | 1 |
| 2 | 532065139 | NIPPEL | | 1 |
| 3 | 532138336 | FÄLG | Front 6" | 1 |
| 4 | 532059904 | SLANG | Front (Service Item Only) | 1 |
| 5 | 532106222 | DÄCK | FRONT (15 X 6-6) | 1 |
| 6 | 532000278 | NIPPEL | (Front Wheel Only) | 1 |
| 7 | 532009040 | LAGER | (Front Wheel Only) | 1 |
| 8 | 532175039 | NAVKAPSEL | | 1 |
| 9 | 532138468 | DÄCK | REAR (20 X 8-8) | 1 |
| 10 | 532007152 | RÖR | Rear (Service Item Only) | 1 |
| 11 | 532138337 | RINGDREV | Rear 8" | 1 |
| -- | 532144334 | SEALING FOAM | | 1 |
| | ART. NR | | ANMÄRKNING | KIT |