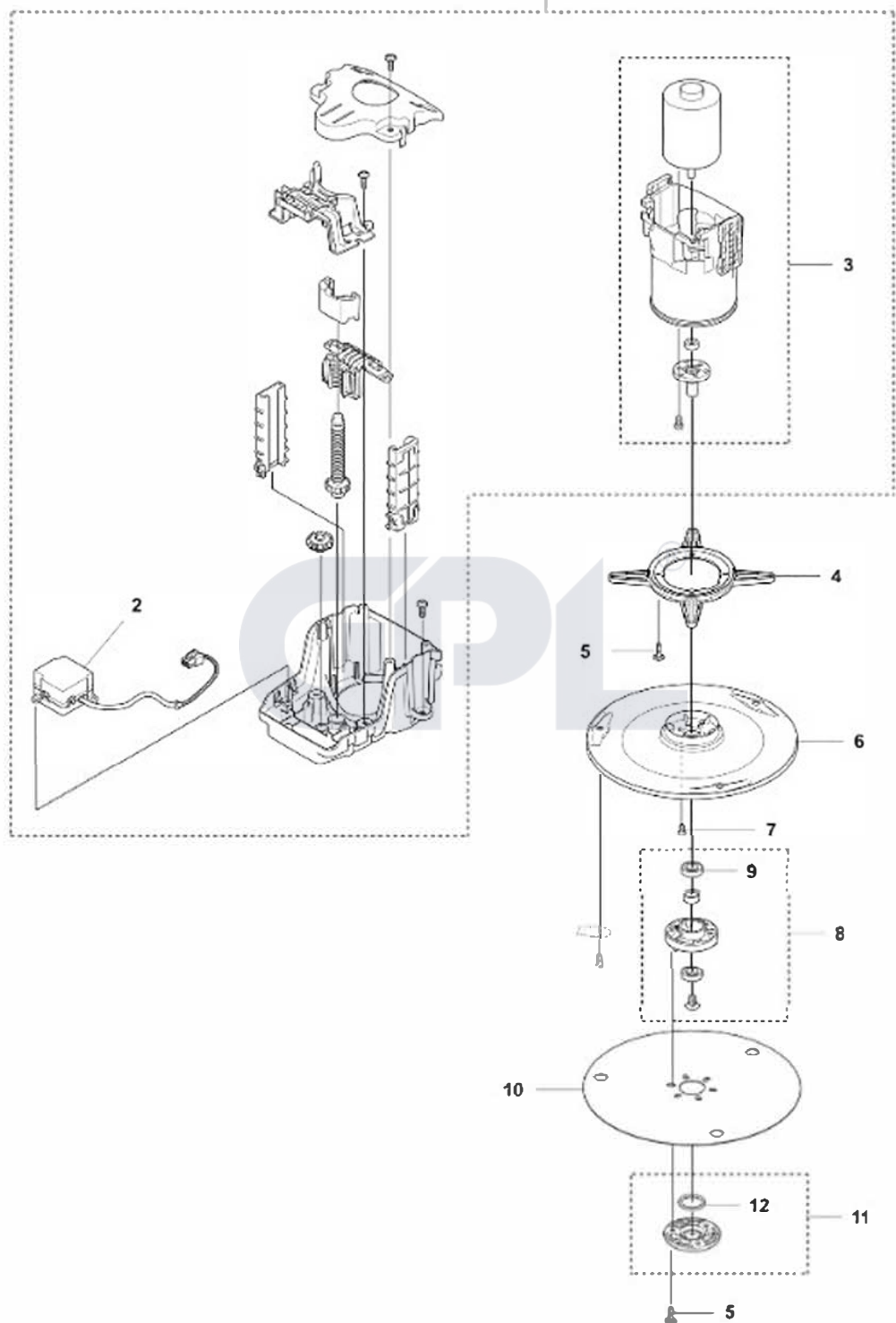


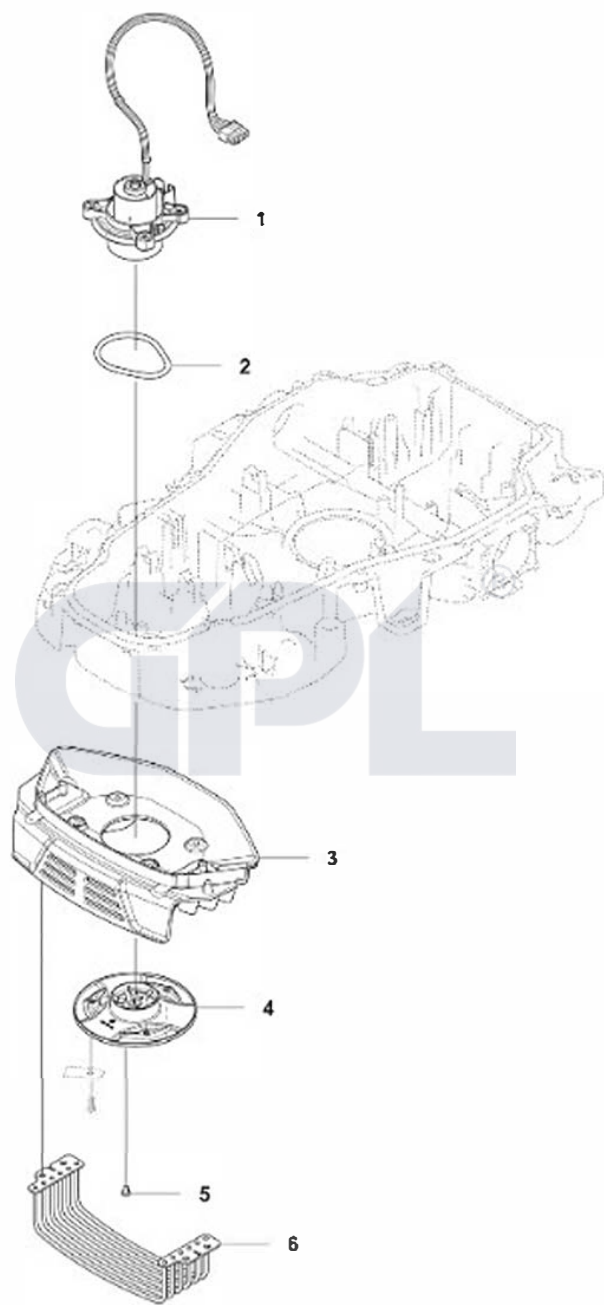
AUTOMOWER 305E NERA
BLADE MOTOR & CUTTING EQUIPMENT

1



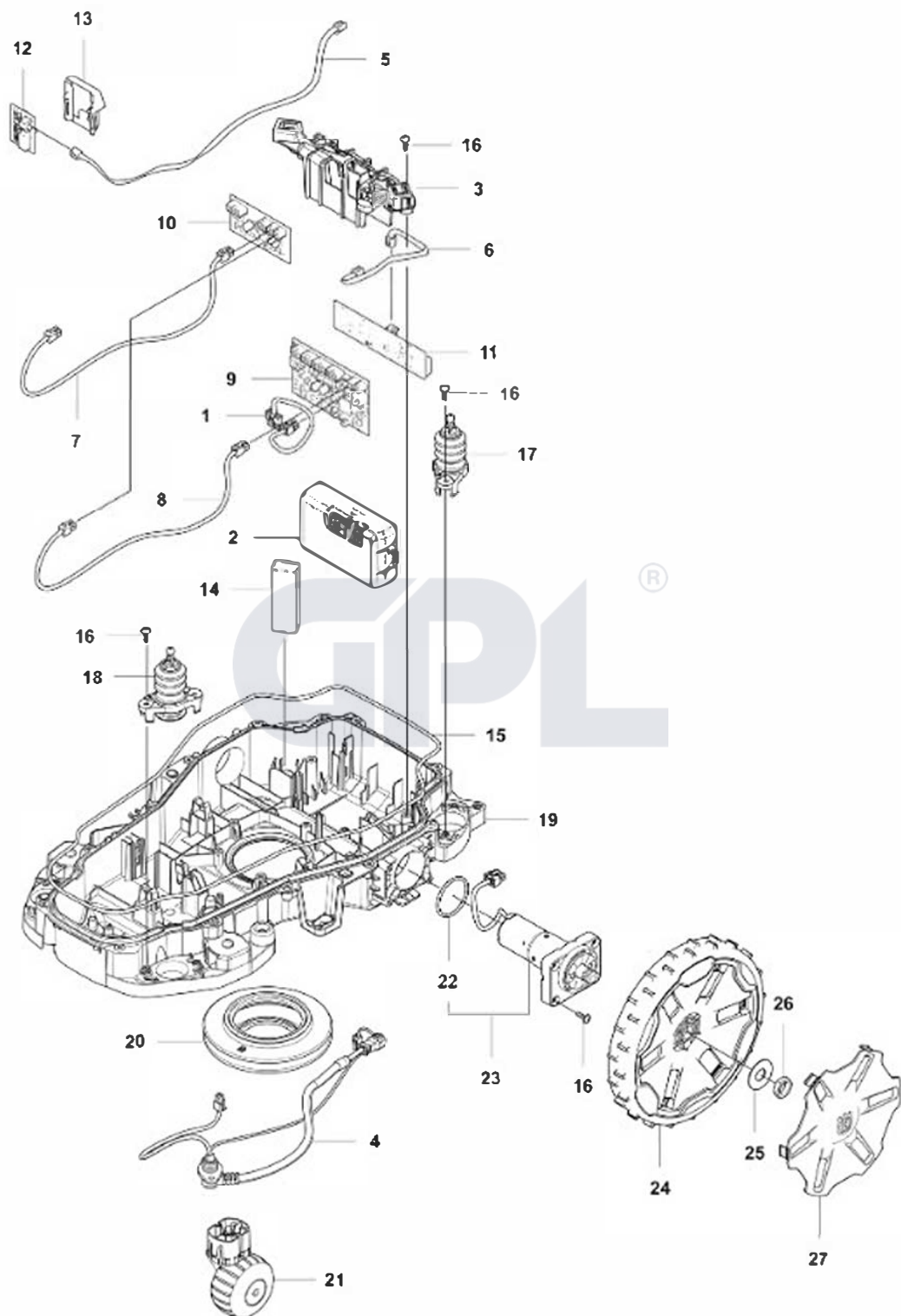
Ref.	Article N.	Description	Qty	Kit
1	546838901	CUTTING MODULE <i>Cutting module</i>	1	-
2	592735803	HEIGHT ADJUSTMENT MOTOR <i>Cutting height adjustment motor</i>	1	-
3	599428301	CUTTER MOTOR ASSY <i>Cutting motor front</i>	1	-
4	599318201	FRAME	1	-
5	575543314	SCREW	3	-
6	531177401	CUTTING DISC <i>Blade disc</i>	1	-
7	590508701	SCREW	3	-
8	588421702	BEARING HOUSING ASSY	1	-
9	535075703	BALL BEARING	2	-
9	593080801	BALL BEARING <i>Tube 50 pcs</i>	2	-
10	598794801	SKID PLATE	1	-
11	587449601	COVER KIT <i>Bearing cover</i>	1	-
12	585297501	O-RING	1	-

AUTOMOWER 305E NERA
BLADE MOTOR AND CUTTING EQUIPMENT



Ref.	Article N.	Description	Qty	Kit
1	548084401	CUTTER MOTOR ASSY <i>Cutting motor rear</i>	1	-
2	529516301	GASKET	1	-
3	547596301	GUARD <i>Blade disc guard</i>	1	-
4	536984301	CUTTING DISC	1	-
5	590508701	SCREW	3	-
6	547596401	COVER <i>Blade disc guard</i>	1	-

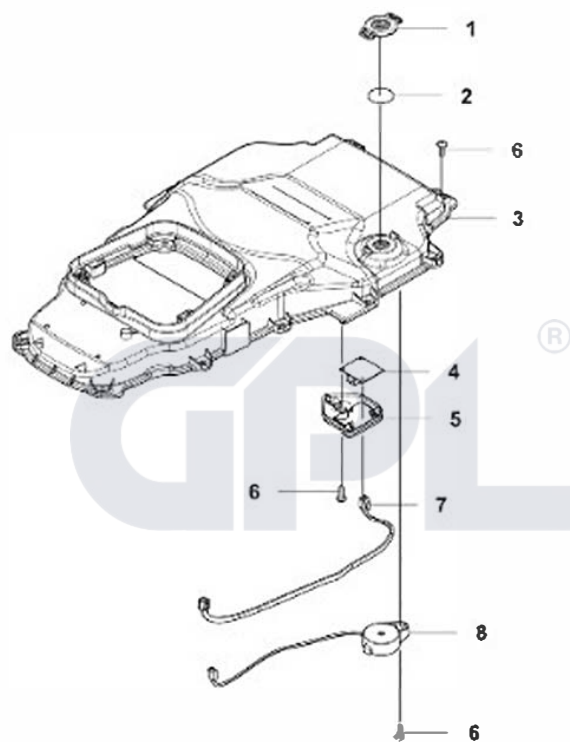
**AUTOMOWER 305E NERA
CHASSIS LOWER**



Ref.	Article N.	Description	Qty	Kit
1	535280504	WIRING ASSY <i>Wiring assy battery</i>	1	-
2	529452002	BATTERY	1	-
3	536970901	BRACKET	1	-
4	546333602	WIRING ASSY <i>Main Cable</i>	1	-
5	536253905	WIRING ASSY <i>Wiring assy loop sensor rear</i>	1	-
6	536253908	WIRING ASSY <i>Wiring assy loop sensor front</i>	1	-
7	547846804	WIRING ASSY <i>Wiring assy application board</i>	1	-
8	547846804	WIRING ASSY <i>Wiring assy motor control</i>	1	-
9	591125602	PRINTED CIRCUIT ASSY <i>Motor contol circuit board rear</i>	1	-
10	536657701	PRINTED CIRCUIT ASSY <i>Motor contol circuit board front</i>	1	-
11	591125703	PRINTED CIRCUIT ASSY <i>Loop sensor circuit board front</i>	1	-
12	536657101	PRINTED CIRCUIT ASSY <i>Loop sensor circuit board rear</i>	1	-
13	538641201	FRAME <i>Holder loop sensor circuit board</i>	1	-
14	598503604	WEIGHT	2	-
15	574874709	SEALING STRIP	1	-

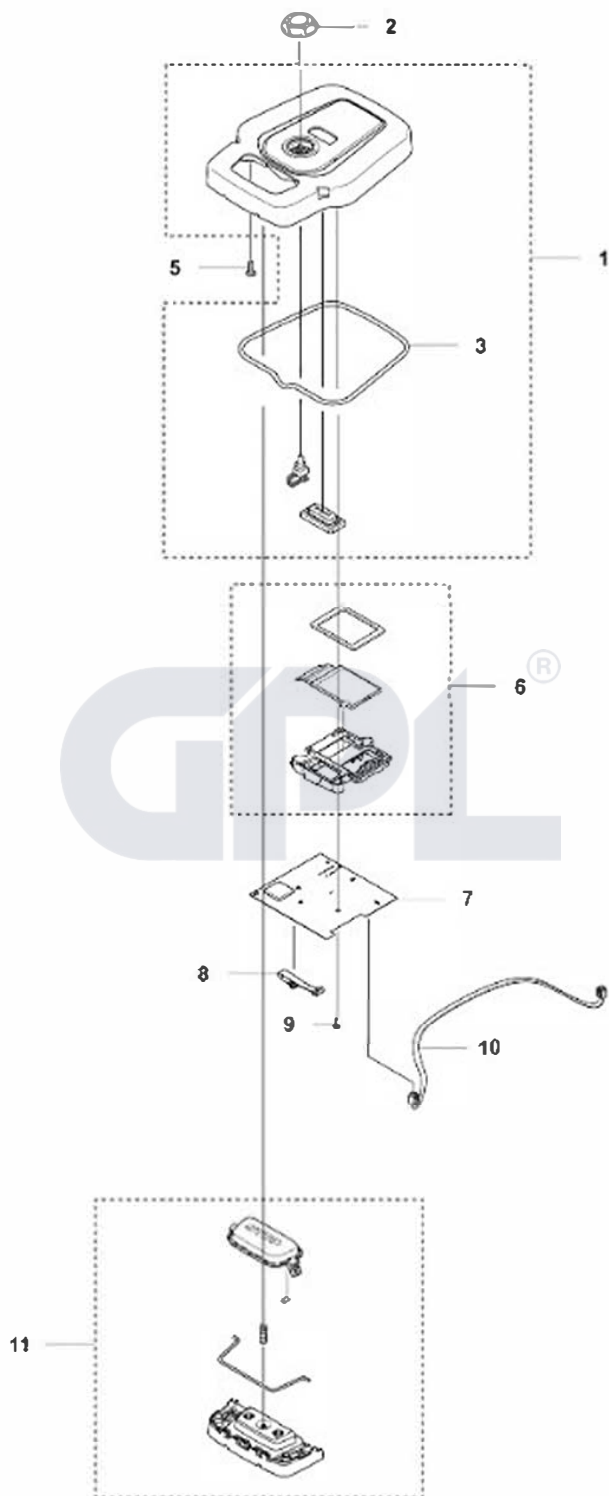
16	574450101	SCREW ITXPANT	20	-
17	531281301	JOYSTICK ASSY <i>Joystick lift & collision front</i>	2	-
18	531281201	JOYSTICK ASSY <i>Joystick collision rear</i>	2	-
19	548084301	CHASSIS <i>Chassis lower</i>	1	-
20	599318301	BELLOWS	1	-
21	547412801	WHEEL ASSY <i>Rear wheel</i>	2	-
22	580443902	O-RING	2	-
23	599683402	WHEEL MOTOR ASSY <i>Wheel motor</i>	2	-
24	538816501	WHEEL ASSY <i>Front wheel</i>	2	-
25	586210601	WASHER	1	-
26	731432401	HEXAGON THIN NUT	2	-
27	531380501	HUB CAP	2	-

AUTOMOWER 305E NERA
CHASSIS UPPER



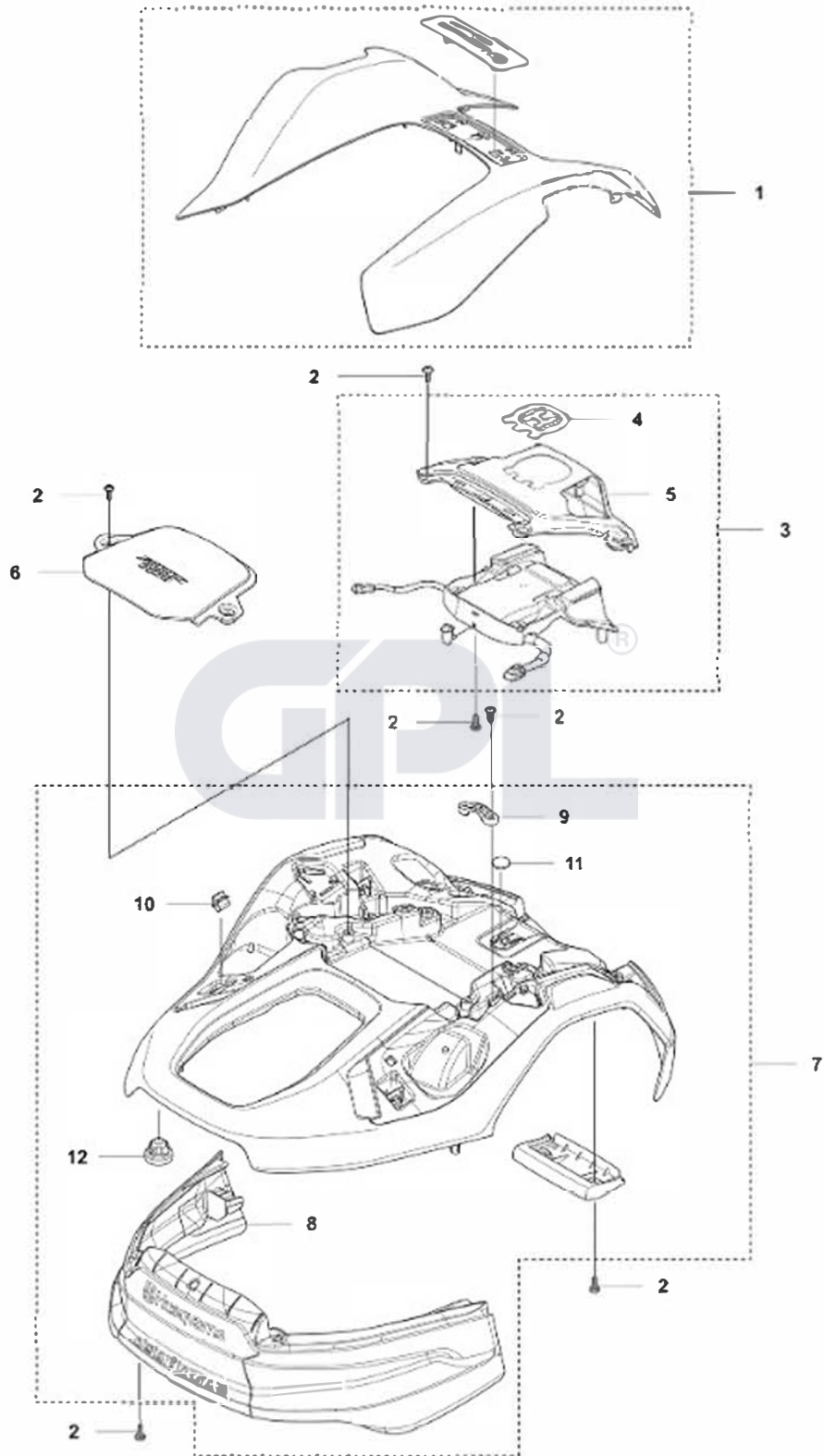
Ref.	Article N.	Description	Qty	Kit
1	586038902	COVER <i>Cover air filter</i>	1	-
2	577753701	FILTER <i>Air filter</i>	1	-
3	536969902	CHASSIS <i>Chassis upper</i>	1	-
4	591125501	PRINTED CIRCUIT ASSY <i>Magnetic sensor circuit board</i>	1	-
5	535563901	HOLDER <i>Holder magnetic sensor curcuit board</i>	1	-
6	574450101	SCREW ITXPANT	14	-
7	536253911	WIRING ASSY <i>Wiring Assy Magnetic sensor</i>	1	-
8	531351802	WIRING ASSY <i>Buzzer</i>	1	-

AUTOMOWER 305E NERA
CONSOLE



Ref.	Article N.	Description	Qty	Kit
1	538876601	COVER KIT	1	-
2	531375901	KNOB <i>Jog Wheel</i>	1	-
3	599911803	SEAL <i>Sealing strip</i>	1	-
5	574450101	SCREW ITXPANT <i>Screw</i>	4	-
6	538822401	DISPLAY KIT	1	-
7	599702701	PRINTED CIRCUIT ASSY <i>Application circuit board</i>	1	-
8	535588201	WIRING ASSY <i>Wiring assy Start Button</i>	1	-
9	525887402	SCREW CITXPANT	3	-
10	589350805	WIRING ASSY <i>Wiring Assy Magnetic sensor</i>	1	-
11	531376301	BUTTON ASSY <i>Stop Button kit</i>	1	-

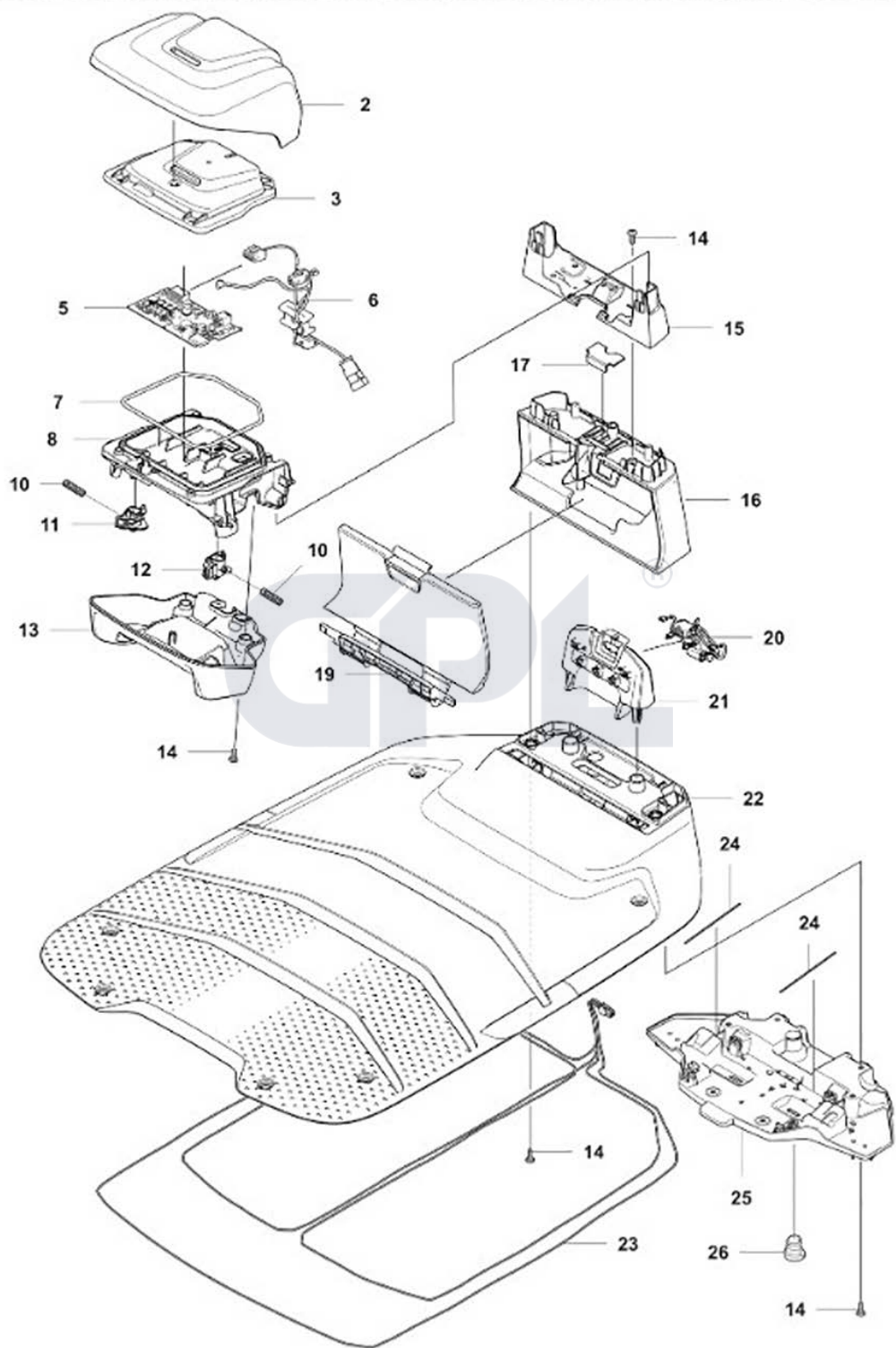
**AUTOMOWER 305E NERA
COVER**



Ref.	Article N.	Description	Qty	Kit
1	538890201	COVER ASSY <i>Top cover kit</i>	1	-
2	574450101	SCREW ITXPANT	18	-
3	546525501	COVER KIT <i>Nose module kit</i>	1	-
4	587423502	DECAL <i>Husqvarna crown</i>	1	-
5	536997901	HOUSING <i>Nose cover</i>	1	-
6	536997801	PANEL <i>Accessory cover</i>	1	-
7	546521802	BODY KIT	1	-
8	536997401	BUMPER <i>Rear bumper</i>	1	-
9	593355202	CLAMP	1	-
10	593778401	CLIP	6	-
11	593822101	MAGNET	1	-
12	546632301	COUPLING <i>Snaploc</i>	4	-

**AUTOMOWER 305E NERA
CHARGING STATION**

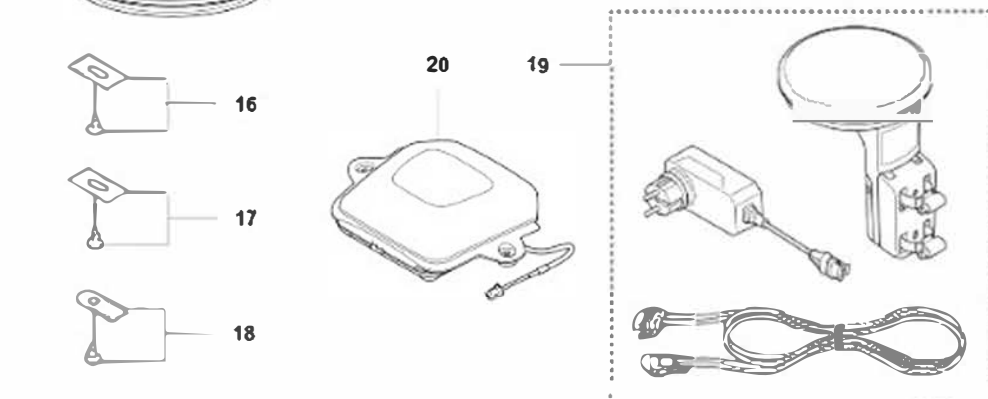
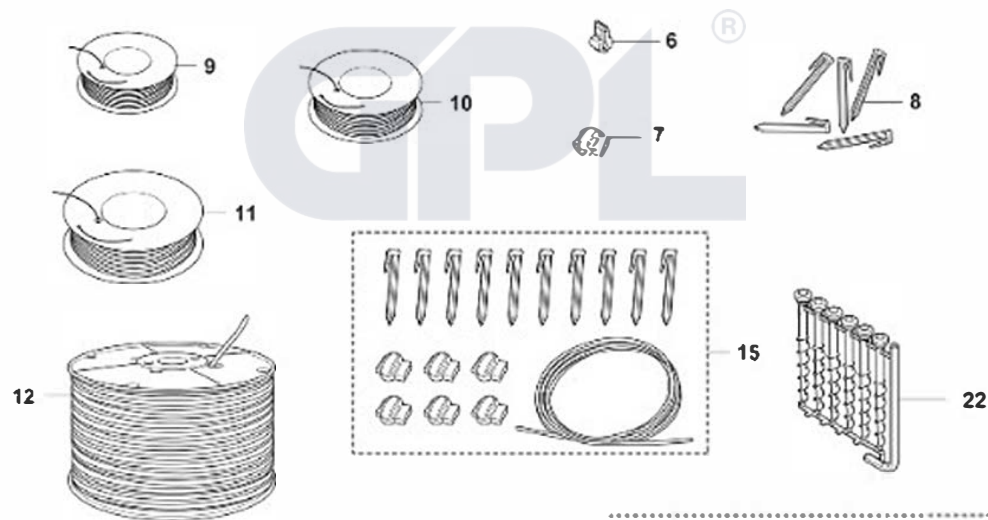
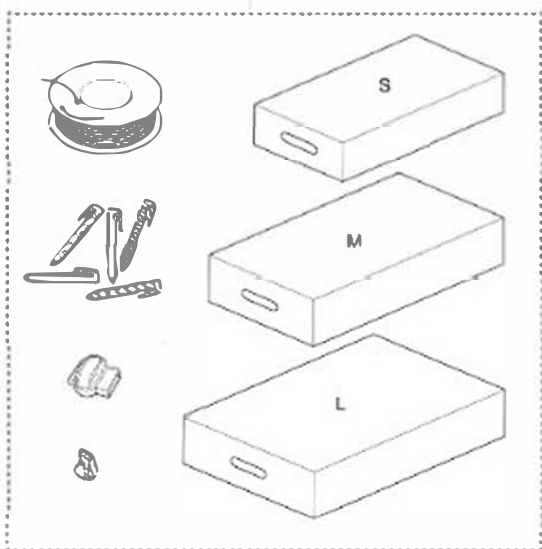
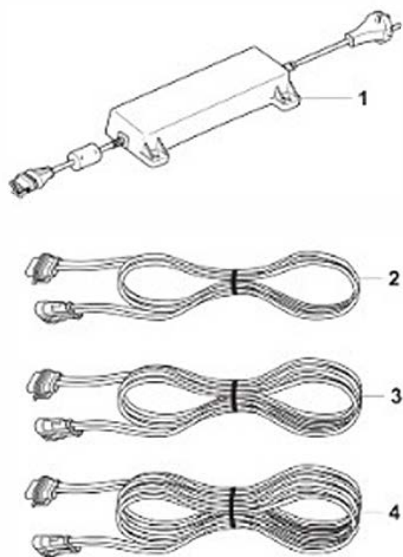
1



Ref.	Article N.	Description	Qty	Kit
1	531422302	CHARGING STATION	1	-
2	531422502	CAP <i>Upper Cover</i>	1	-
3	531422902	LID	1	-
5	529899501	PRINTED CIRCUIT ASSY <i>Charging station circuit board</i>	1	-
6	536055201	WIRING ASSY <i>Wiring Assy CS Main</i>	1	-
7	574874708	SEALING STRIP	1	-
8	531423002	FRAME	1	-
10	535130101	SPRING	2	-
11	531422601	FLAP <i>Contact Plate Left</i>	1	-
12	531422602	FLAP <i>Contact Plate Right</i>	1	-
13	531422701	CASING <i>Lower Cover</i>	1	-
14	574450101	SCREW ITPANT	12	-
15	535558603	SUPPORT	1	-
16	531422401	HOUSING	1	-
17	536177201	LID	1	-
19	531422802	HATCH	1	-
20	535600701	WIRING ASSY <i>Wiring Assy Antenna bridge</i>	1	-

21	535600601	HOUSING <i>Cable Holder</i>	1	-
22	531423101	BASEPLATE <i>Charging Station Baseplate</i>	1	-
23	536166001	WIRING ASSY <i>Wiring Assy Baseplate</i>	1	-
24	588470201	SPRING	2	-
25	535600501	ANCHOR PLATE <i>Baseplate Support</i>	1	-
26	531262701	PLUG	1	-

**AUTOMOWER 305E NERA
INSTALLATION ACCESSORIES**



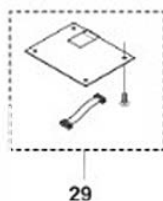
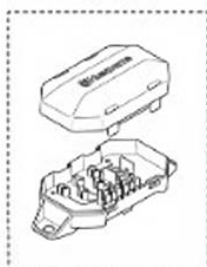
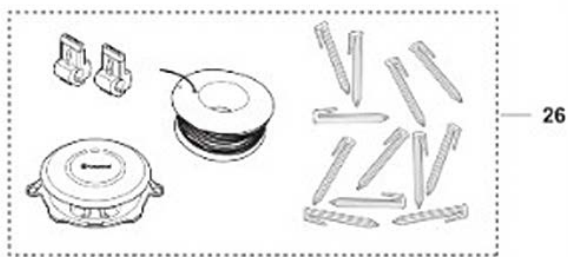
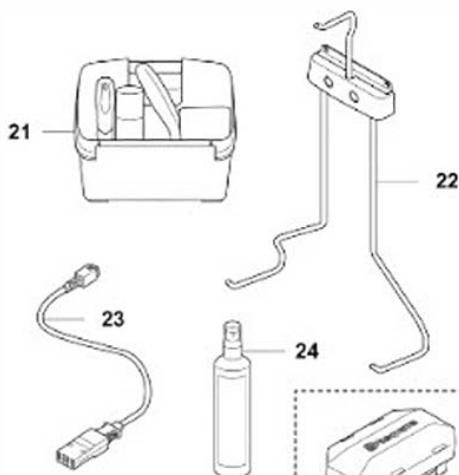
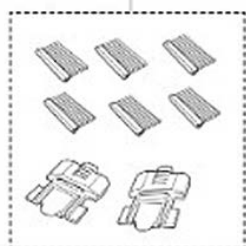
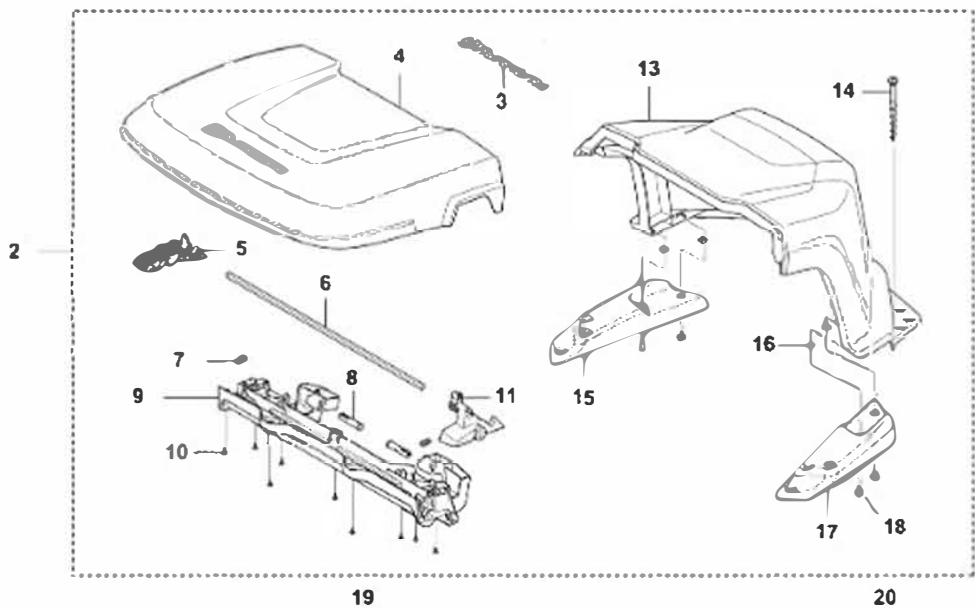
Ref.	Article N.	Description	Qty	Kit
1	599628504	POWER UNIT <i>US/CA</i>	1	-
1	599628505	POWER UNIT <i>AUS/NZ</i>	1	-
1	599628503	POWER UNIT <i>CH</i>	1	-
1	599628502	POWER UNIT <i>GB,IE</i>	1	-
1	599628501	POWER UNIT <i>EU</i>	1	-
2	579825103	CABLE ASSY <i>Low Voltage Cable 3 m</i>	1	-
3	579825104	CABLE ASSY <i>Low Voltage Cable 5 m</i>	1	-
4	579825101	CABLE ASSY <i>Low Voltage Cable 20 m</i>	1	-
4	579825102	CABLE ASSY <i>Low Voltage Cable 10 m</i>	1	-
5	967972201	INSTALLATION KIT <i>M Wire 250 m, Staples 400 pc, Connectors 3 pcs, Couplers 5 pcs</i>	1	-
5	967972101	INSTALLATION KIT <i>S Wire 150 m, Staples 300 pc, Connectors 3 pcs, Couplers 5 pcs</i>	1	-
5	967972301	INSTALLATION KIT <i>L Wire 400 m, Staples 600 pc, Connectors 5 pcs, Couplers 5 pcs</i>	1	-
6	535129002	CONNECTOR <i>Loop Wire Connector, Blister Pack 100 pcs</i>	1	-
6	577864801	CONNECTOR <i>Loop Wire Connector</i>	1	-

7	536085402	COUPLER <i>Coupler, 5pcs</i>	1	-
7	536085403	COUPLER <i>Coupler, 100 pcs</i>	1	-
8	577864201	STAPLE <i>100 pcs</i>	1	-
9	597237802	WIRE <i>Wire, 50m</i>	1	-
10	597237801	WIRE <i>Wire, 150m</i>	1	-
11	580662006	WIRE <i>Wire, 250m</i>	1	-
12	593297702	WIRE <i>Wire, 300m</i>	1	-
12	580662009	WIRE <i>Wire, 800m</i>	1	-
12	522914102	WIRE <i>Wire, 500m</i>	1	-
15	597539501	WIRE <i>Boundary wire repair kit</i>	1	-
16	595084401	BLADE SET <i>Endurance Blade, 6 pcs</i>	1	-
16	595084402	BLADE SET <i>Endurance Blade, 45 pcs</i>	1	-
16	595084403	BLADE SET <i>Endurance Blade, 300 pcs</i>	1	-
17	599805201	BLADE SET <i>Endurance HSS Blades 6 pcs</i>	1	-
17	599805202	BLADE SET <i>Endurance HSS Blades 45 pcs</i>	1	-

17	599805203	BLADE SET <i>Endurance HSS Blades 300 pcs</i>	1	-
18	577864603	BLADE SET <i>Blades 9 pcs incl. Screws</i>	1	-
18	577606505	BLADE SET <i>Blades 45 pcs incl. Screws</i>	1	-
18	577606604	BLADE SET <i>Blades 300 pcs incl. Screws</i>	1	-
18	599805301	BLADE SET <i>Blades 45 pcs</i>	1	-
18	599805302	BLADE SET <i>Blades 300 pcs</i>	1	-
19	970663303	REFERENCE STATION <i>GB,IE</i>	1	-
19	970663304	REFERENCE STATION <i>CH</i>	1	-
19	970663301	REFERENCE STATION <i>EU</i>	1	-
20	970663201	EPOS MODULE	1	-
22	597435801	SCREW <i>Anchor screws, 6pcs</i>	1	-



AUTOMOWER 305E ACCESSORIES



Ref.	Article N.	Description	Qty	Kit
2	536664101	HOUSING <i>Automower House</i>	1	-
3	577469001	DECAL	1	-
4	586885802	LID <i>Kit</i>	1	-
5	585324002	HANDLE	1	-
6	585324101	ROD	1	-
7	580511401	SPRING	1	-
8	585341501	HINGE PIN	1	-
9	585341601	BEAM	1	-
10	575543314	SCREW	1	-
11	585324001	HANDLE	1	-
12	585323602	HATCH	1	-
13	536797201	HOUSING <i>Cover</i>	1	-
14	597435801	SCREW <i>Screw kit</i>	1	-
15	585323802	SUPPORT	1	-
16	503226601	SQUARE NUT	1	-
17	585323801	SUPPORT	1	-
18	535129303	SCREW IHPANM	1	-

19	536849202	WHEEL KIT <i>Terrain kit</i>	1	-
20	505132803	BRUSH KIT <i>Wheel Brush refill kit</i>	1	-
21	590855101	CLEANING KIT <i>Maintenance and Cleaning kit</i>	1	-
22	536849302	WALL HANGER	1	-
23	598013102	WIRING ASSY <i>Battery tester cable</i>	1	-
24	593967901	SPRAY <i>Care and Shine Spray</i>	1	-
25	580689502	LABEL <i>Warranty seal</i>	1	-
26	529880501	SWITCH <i>FlexiFence</i>	1	-
27	529459701	KIT <i>Automower Area Switch</i>	1	-
28	599801701	BOX <i>Connector protection box</i>	1	-
29	586662315	GPS MODULE <i>Connect Module</i>	1	-